

STRAIGHT ROLLERS



1 in. O.D. x 16 ga. Rollers

Roller Part Number		Tube Material	Axle	Drive Options	Bearing Part Number
Spring Retained	Pin Retained				
29933	Upon Request	Mild Steel	1/4 Dia.	Gravity	102245-O
38246	29934	Mild Steel	5/16 Dia.	Gravity	102272-O
20747	20677	Mild Steel	5/16 Hex	Gravity	102152-O
44983	Upon Request	Galvanized	5/16 Hex	Gravity	

*Roller 20747 stock options available.

Roller Capacity Chart (lbs.)*

Between Frame (BF) Inches	Bearing Part Number		
	102245-O	102272-O	102152-O
6	60	60	60
9	60	60	60
12	59	59	59
15	59	59	59
18	59	59	59
21	59	59	59
24	51	59	59
27	43	59	59
30	37	58	58
33	31	58	58
36	25	58	58
39	20	58	58

1 in. Pipe Rollers (1.315 in. O.D.)

Roller Part Number		Tube Material	Axle	Drive Options	Bearing Part Number
Spring Retained	Pin Retained				
44849	Upon Request	SCH 40 PVC**	7/16 Hex	Gravity	102177-O

Roller Capacity Chart (lbs.)*

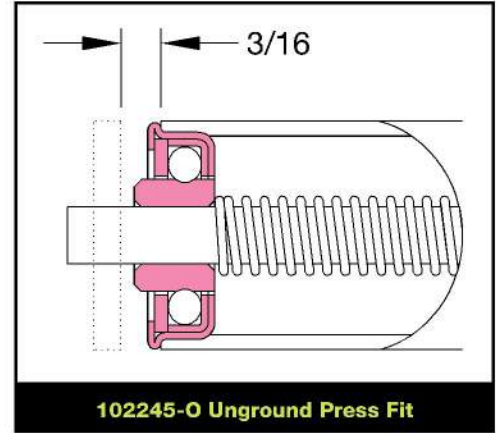
Between Frame (BF) Inches	Bearing Part Number
	102177-O SCH 40 PVC**
6	150
9	92
12	67
15	53
18	44
21	37
24	29
27	23
30	18
33	15
36	12
39	10

*Larger Between Frames and higher capacities may be achieved with a center support puck.

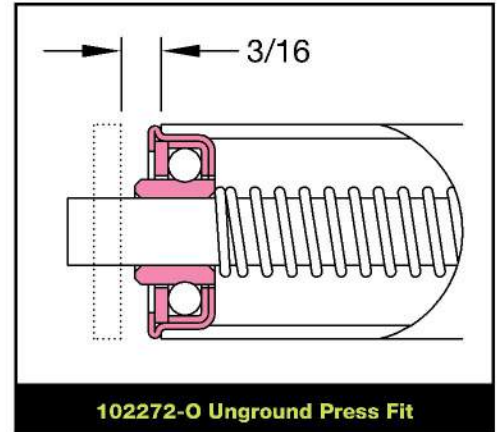
*Roller Between Frame lengths available between values shown in the table.

*Roller Between Frames can be shorter than values shown utilizing pin retention.

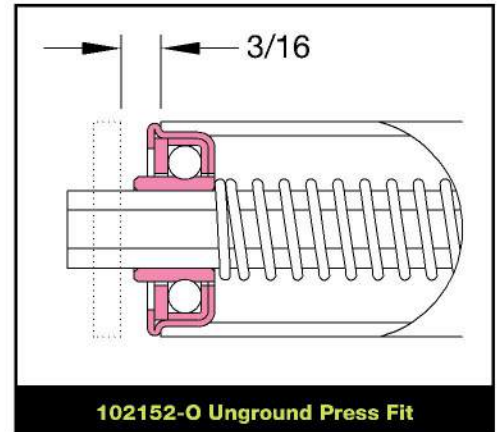
**PVC Pipe is industrial grade. At longer lengths T.I.R. cannot be guaranteed.



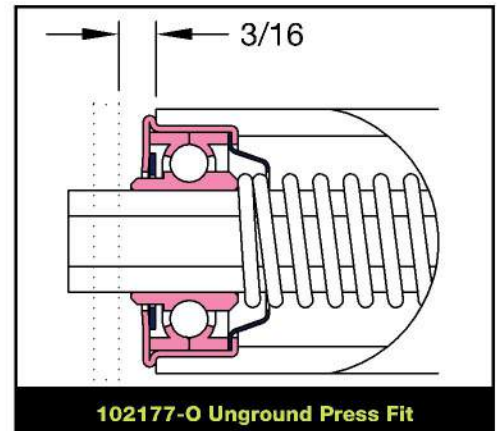
102245-O Uground Press Fit



102272-O Uground Press Fit



102152-O Uground Press Fit



102177-O Uground Press Fit

*The dimension above include 1/16" clearance between the extension on the bearing and the side frame at each end.



Standard Part Numbering System

Example: 27369 - 17
 Roller Part Number BF

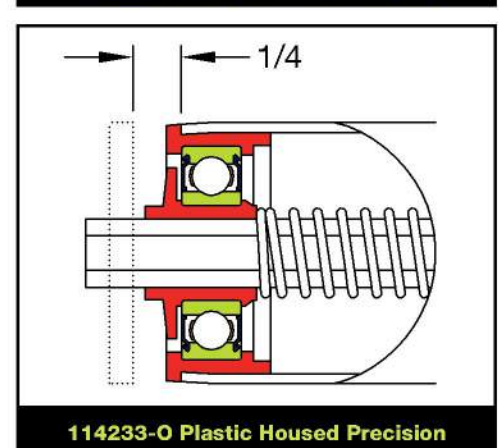
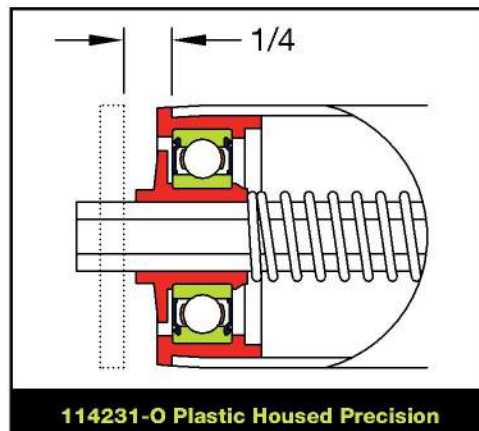
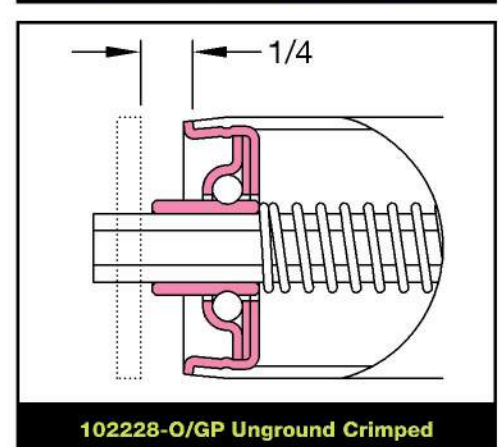
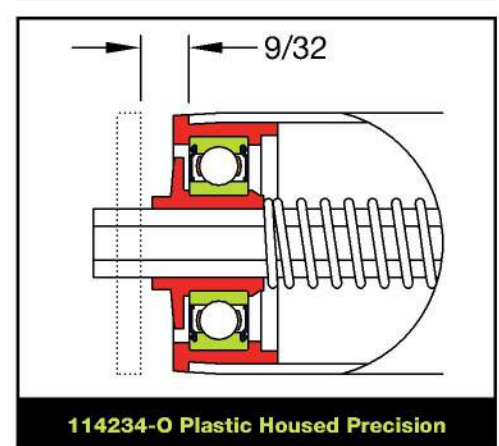
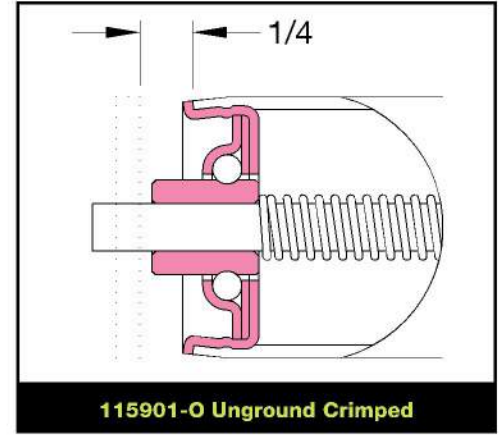
1 3/8 in. O.D. x 18 ga. Rollers

Roller Part Number		Tube Material	Axle	Drive Options	Bearing Part Number
Spring Retained	Pin Retained				
25898	Upon Request	Aluminum	1/4 Dia.	Gravity	115901-O
25904	Upon Request	Galvanized	1/4 Dia.	Gravity	
42411	Upon Request	Galvanized	1/4 Dia.	Gravity	114234-O
26356	28740	Galvanized	5/16 Hex	Gravity	102228-O
28122	29190	Galvanized	5/16 Hex	1 Groove	102228-GP
28123	29191	Galvanized	5/16 Hex	2 Grooves	
42373	42374	Galvanized	5/16 Hex	Gravity	114233-O
42369	42370	Galvanized	5/16 Hex	Gravity	114231-GP
42375	42377	Galvanized	5/16 Hex	1 Groove	
42376	42378	Galvanized	5/16 Hex	2 Grooves	

*Roller 25898 and 25904 stock options available.

Roller Capacity Chart (lbs.)*

Between Frame (BF) Inches	Bearing Part Number			
	115901-O	114234-O	102228-O 102228-GP	114233-O 114231-GP
6	94	142	120	295
9	93	114	119	294
12	74	83	119	252
15	58	65	119	198
18	47	53	119	162
21	39	44	119	136
24	32	37	107	117
27	27	31	92	101
30	23	26	80	88
33	19	22	70	77
36	15	18	61	67
39	12	14	53	58



*Larger Between Frames and higher capacities may be achieved with a center support puck.

*Roller Between Frame lengths available between values shown in the table.

*Roller Between Frames can be shorter than values shown utilizing pin retention.

Standard Part Numbering System

Example: 27369 - 17

Roller Part Number BF



Unground



Unground Stainless Steel



Semi-Precision



Semi-Precision Stainless Steel



Precision



Precision Stainless Steel



Plastic



Seats



Shields



Ball Retainer (Cage)



Keeper Bar

*The dimension above include 1/16" clearance between the extension on the bearing and the side frame at each end.

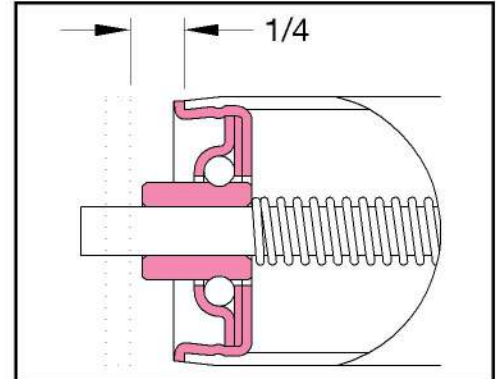
STRAIGHT ROLLERS

1 3/8 in. OD x 16 Ga. Rollers

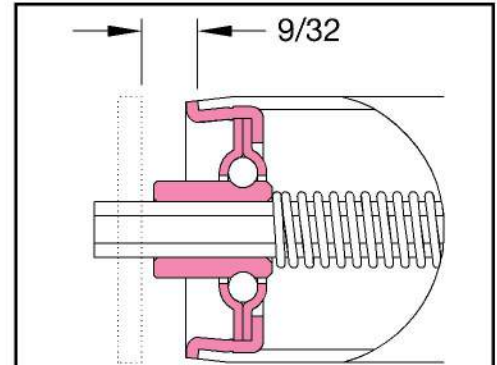
Roller Part Number		Tube Material	Axle	Drive Options	Bearing Part Number
Spring Retained	Pin Retained				
27829	Upon Request	Mild Steel	1/4 Dia.	Gravity	115901-O
39622	28481	Mild Steel	1/4 Hex	Gravity	102178-O
37819	28482	Mild Steel	5/16 Dia.	Gravity	102241-O
11439	28468	Mild Steel	5/16 Hex	Gravity	102228-O
29192	29194	Mild Steel	5/16 Hex	1 Groove	102228-GP
29193	29195	Mild Steel	5/16 Hex	2 Grooves	

Roller Capacity Chart (lbs.)*

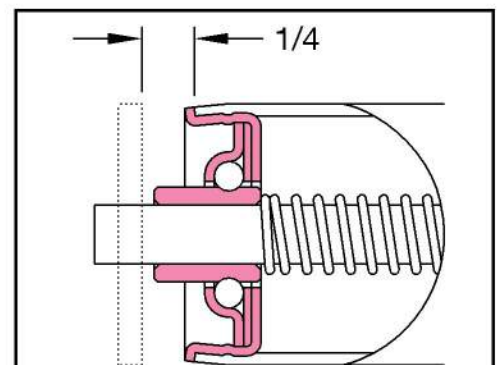
Between Frame (BF) Inches	Bearing Part Number			
	115901-O	102178-O	102241-O	102228-O 102228-GP
6	94	94	94	120
9	93	93	93	119
12	74	80	93	119
15	58	62	93	119
18	47	50	93	119
21	38	42	86	118
24	32	35	73	106
27	27	29	63	92
30	22	25	54	80
33	18	20	47	69
36	15	17	40	60
39	12	13	34	52



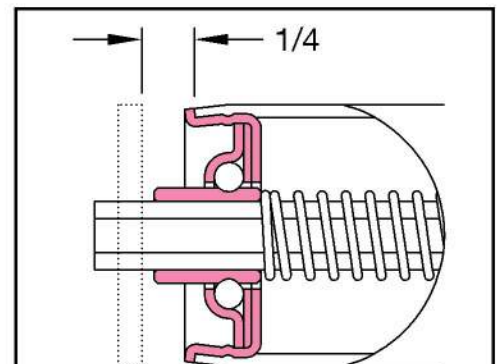
115901-O Uground Crimped



102178-O Uground Crimped



102241-O Uground Crimped



102228-O/GP Uground Crimped

*The dimension above include 1/16" clearance between the extension on the bearing and the side frame at each end.

*Larger Between Frames and higher capacities may be achieved with a center support puck.

*Roller Between Frame lengths available between values shown in the table.

*Roller Between Frames can be shorter than values shown utilizing pin retention.



Standard Part Numbering System

Example: 27369 - 17
 Roller Part Number BF

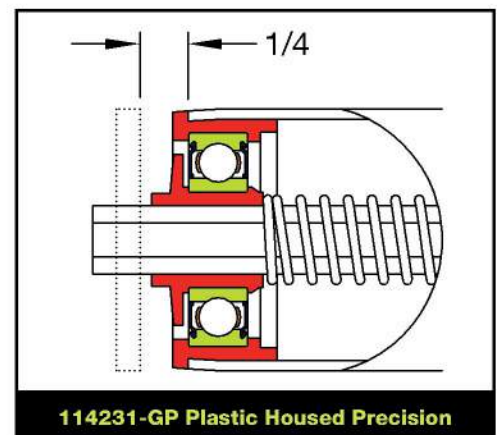
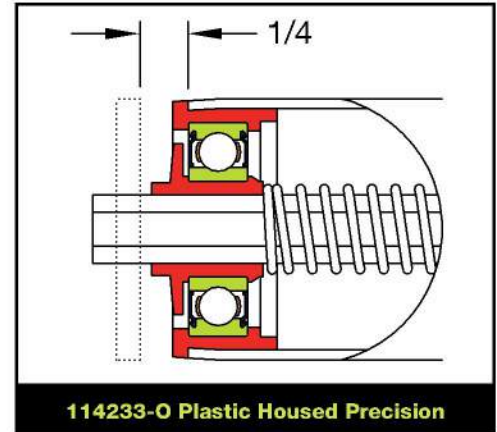
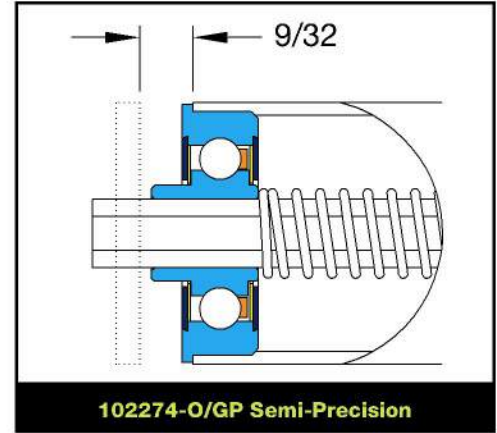
1 3/8 in. OD x 16 Ga. Rollers

Roller Part Number		Tube Material	Axle	Drive Options	Bearing Part Number
Spring Retained	Pin Retained				
38113	41511	Mild Steel	5/16 Hex	Gravity	102274-O
44845	Upon Request	Galvanized	5/16 Hex	Gravity	102274-GP
38573	Upon Request	Galvanized	5/16 Hex	1 Groove	
38572	Upon Request	Galvanized	5/16 Hex	2 Grooves	
42387	42388	Galvanized	5/16 Hex	Gravity	114233-O
41509	41510	Mild Steel	5/16 Hex	Gravity	114231-GP
42355	42353	Mild Steel	5/16 Hex	1 Groove	
42356	42354	Mild Steel	5/16 Hex	2 Grooves	
42383	42384	Galvanized	5/16 Hex	Gravity	
42389	42391	Galvanized	5/16 Hex	1 Groove	
42390	42392	Galvanized	5/16 Hex	2 Grooves	

*Roller 38573 and 38572 stock options available.

Roller Capacity Chart (lbs.)*

Between Frame (BF) Inches	Bearing Part Number	
	102274-O 102274-GP	114233-O 114231-GP
6	288	295
9	251	294
12	184	252
15	144	198
18	117	162
21	98	136
24	83	116
27	71	100
30	61	87
33	52	76
36	44	66
39	37	57



*The dimension above include 1/16" clearance between the extension on the bearing and the side frame at each end.

*Larger Between Frames and higher capacities may be achieved with a center support puck.

*Roller Between Frame lengths available between values shown in the table.

*Roller Between Frames can be shorter than values shown utilizing pin retention.

Standard Part Numbering System

Example: 27369 - 17

Roller Part Number BF



Unground



Unground
Stainless Steel



Semi-Precision



Semi-Precision
Stainless Steel



Precision



Precision
Stainless Steel



Plastic



Seats



Shields



Ball Retainer
(Cage)



Keeper
Bar

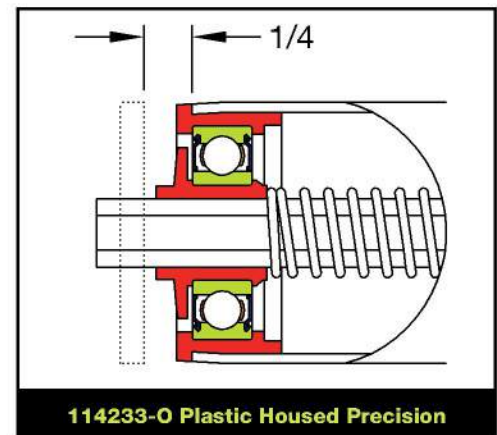
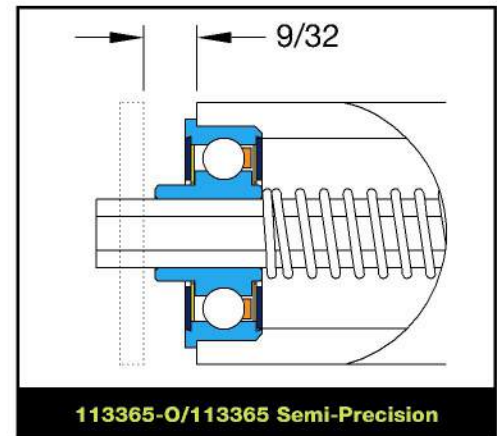
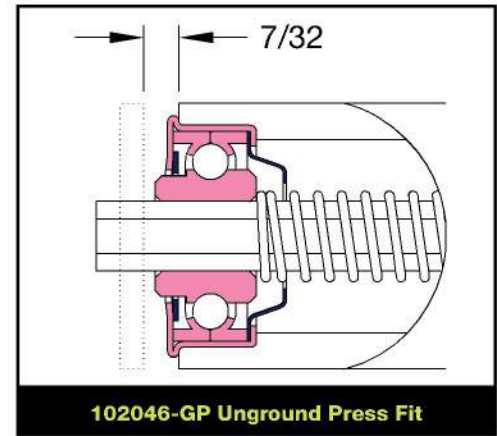
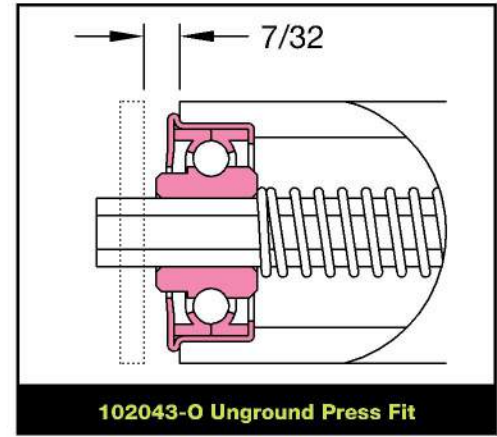
STRAIGHT ROLLERS

1 3/8 in. O.D. x 3/16 Wall Rollers

Roller Part Number		Tube Material	Axle	Drive Options	Bearing Part Number
Spring Retained	Pin Retained				
28485	28486	Mild Steel	5/16 Hex	Gravity	102043-O
22708	28487	Mild Steel	5/16 Hex	Gravity	102046-GP
29196	29198	Mild Steel	5/16 Hex	1 Groove	
29197	29199	Mild Steel	5/16 Hex	2 Grooves	
45129	45128	Mild Steel	5/16 Hex	Gravity	113365-O
45131	45130	Mild Steel	5/16 Hex	Gravity	113365
43766	Upon Request	Mild Steel	5/16 Hex	1 Groove	
43767	Upon Request	Mild Steel	5/16 Hex	2 Grooves	
42401	42402	Mild Steel	5/16 Hex	Gravity	114233-O

Roller Capacity Chart (lbs.)*

Between Frame (BF) Inches	Bearing Part Number			
	102043-O	102046-GP	113365-O 113365	114233-O
6	149	149	287	294
9	148	148	249	293
12	148	148	182	250
15	147	147	142	196
18	147	138	115	160
21	135	115	95	134
24	115	98	80	113
27	96	83	67	97
30	86	72	57	84
33	73	61	48	72
36	63	52	40	62
39	53	44	32	53
42	45	37	25	44
45	37	30	19	36
48	29	23	12	29



*The dimension above include 1/16" clearance between the extension on the bearing and the side frame at each end.

*Larger Between Frames and higher capacities may be achieved with a center support puck.

*Roller Between Frame lengths available between values shown in the table.

*Roller Between Frames can be shorter than values shown utilizing pin retention.



Standard Part Numbering System

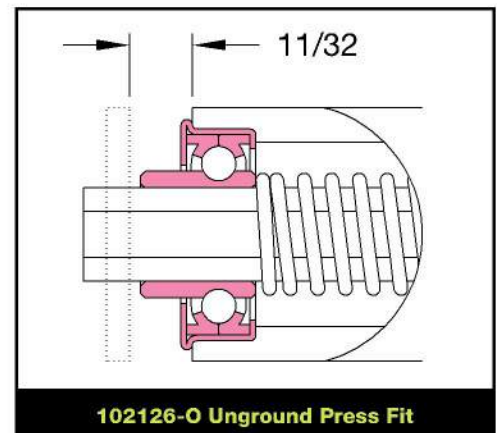
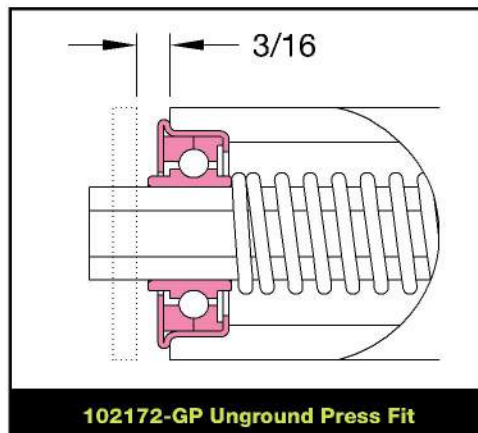
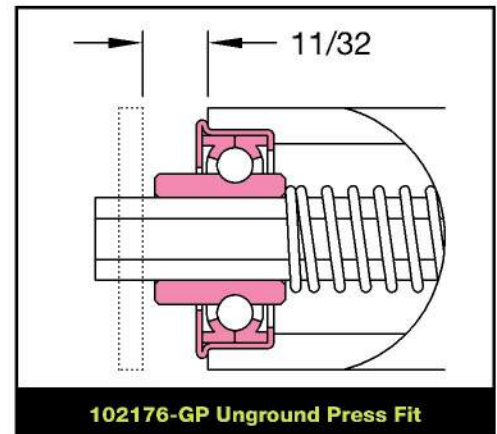
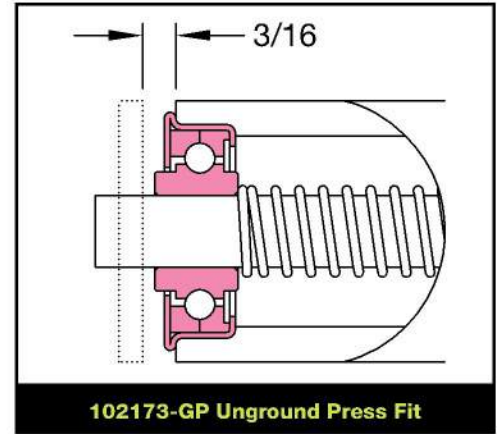
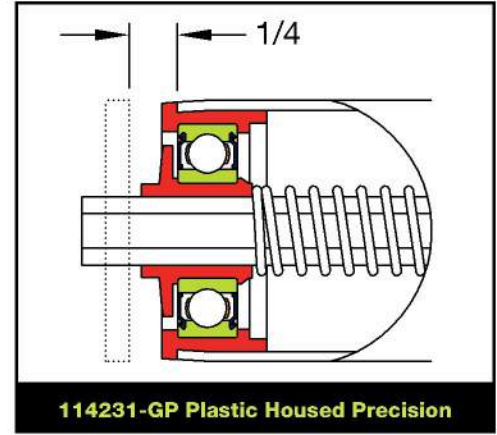
Example: 27369 - 17
 Roller Part Number BF

1 3/8 in. O.D. x 3/16 Wall Rollers

Roller Part Number		Tube Material	Axle	Drive Options	Bearing Part Number
Spring Retained	Pin Retained				
42397	42398	Mild Steel	5/16 Hex	Gravity	114231-GP
42403	42405	Mild Steel	5/16 Hex	1 Groove	
42404	42406	Mild Steel	5/16 Hex	2 Grooves	
38186	28488	Mild Steel	3/8 Dia.	Gravity	102173-GP
38188	28489	Mild Steel	3/8 Hex	Gravity	102176-GP
24934	24935	Mild Steel	7/16 Hex	Gravity	102126-O
37948	28490	Mild Steel	1/2 Dia.	Gravity	102172-GP

Roller Capacity Chart (lbs.)*

Between Frame (BF) Inches	Bearing Part Number				
	114231-GP	102173-GP	102176-GP	102126-O	102172-GP
6	294	149	149	149	149
9	293	148	148	148	148
12	250	148	148	148	148
15	196	147	147	147	147
18	160	146	147	147	146
21	134	146	146	146	146
24	113	145	145	145	145
27	97	145	145	145	145
30	84	144	144	144	144
33	72	144	138	144	144
36	62	143	122	143	143
39	53	134	107	142	142
42	44	117	94	142	142
45	36	102	82	138	141
48	29	87	62	104	141



*Larger Between Frames and higher capacities may be achieved with a center support puck.

*Roller Between Frame lengths available between values shown in the table.

*Roller Between Frames can be shorter than values shown utilizing pin retention.

Standard Part Numbering System

Example: 27369 - 17
 Roller Part Number BF



Unground



Unground Stainless Steel



Semi-Precision



Semi-Precision Stainless Steel



Precision



Precision Stainless Steel



Plastic



Seats



Shields



Ball Retainer (Cage)



Keeper Bar

*The dimension above include 1/16" clearance between the extension on the bearing and the side frame at each end.

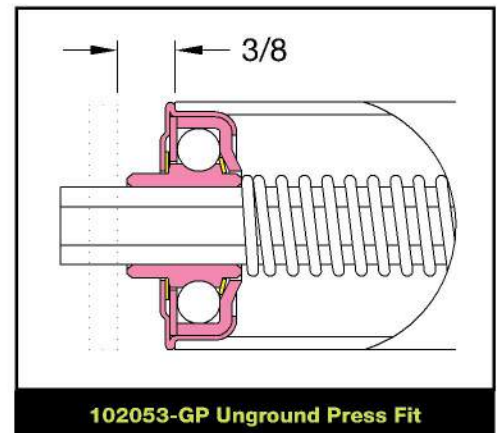
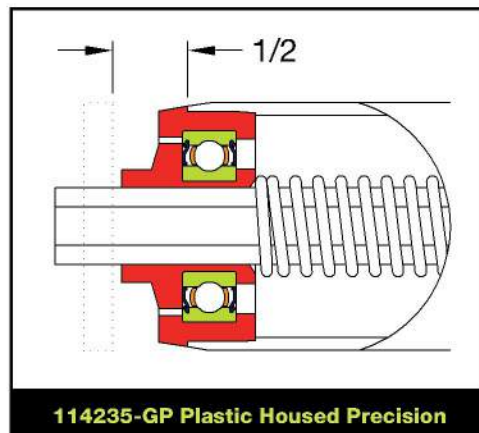
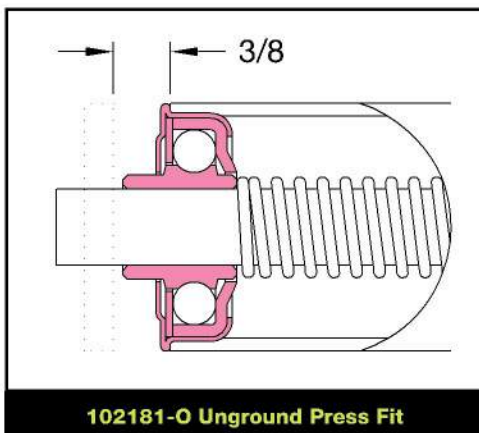
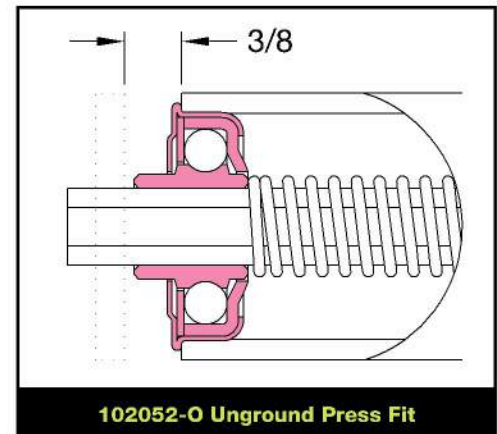
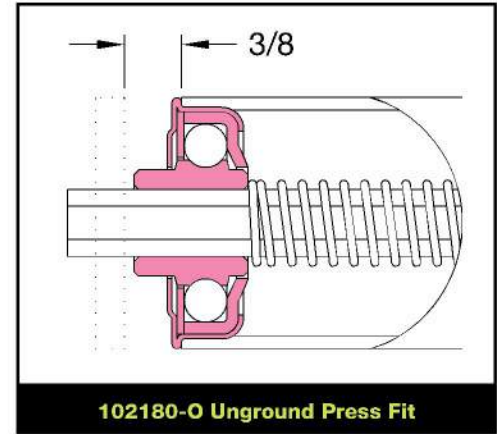
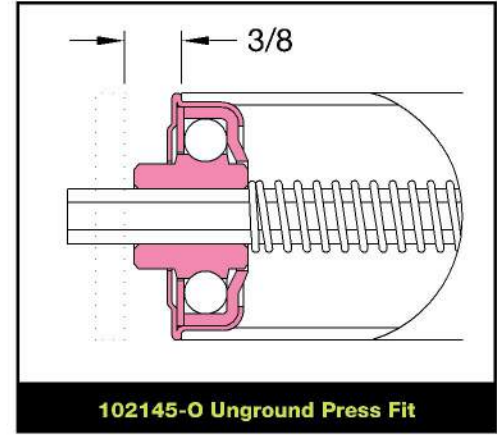
STRAIGHT ROLLERS

1 5/8 in. O.D. x 14 ga. Rollers

Roller Part Number		Tube Material	Axle	Drive Options	Bearing Part Number
Spring Retained	Pin Retained				
29893	30257	Mild Steel	5/16 Hex	Gravity	102145-O
38187	29894	Mild Steel	3/8 Hex	Gravity	102180-O
29895	30258	Mild Steel	7/16 Hex	Gravity	102052-O
40073	40072	Mild Steel	7/16 Hex	Gravity	102053-GP
42647	42648	Mild Steel	7/16 Hex	Gravity	114235-GP
37947	29896	Mild Steel	1/2 Dia.	Gravity	102181-O

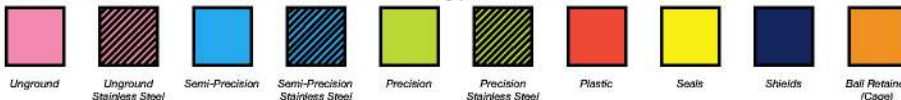
Roller Capacity Chart (lbs.)*

Between Frame (BF) Inches	Bearing Part Number				
	102145-O	102180-O	102052-O 102053-GP	114235-GP	102181-O
6	228	289	289	525	289
9	227	289	289	523	289
12	197	289	289	522	289
15	154	288	288	507	288
18	125	264	268	416	268
21	105	223	268	351	268
24	89	191	267	302	267
27	77	166	267	264	267
30	66	146	278	233	267
33	57	128	247	207	266
36	49	113	221	185	266
39	42	100	198	166	263
42	36	88	178	148	255
45	30	77	159	133	230
48	24	67	142	118	208
51	N/A	58	126	105	167
54	N/A	49	112	93	167
57	N/A	40	98	81	149
60	N/A	32	84	70	132
63	N/A	23	71	59	116
66	N/A	N/A	59	48	99
69	N/A	N/A	47	38	83
72	N/A	N/A	34	27	68
75	N/A	N/A	N/A	N/A	53
78	N/A	N/A	N/A	N/A	37



*Larger Between Frames and higher capacities may be achieved with a center support puck.
 *Roller Between Frame lengths available between values shown in the table.
 *Roller Between Frames can be shorter than values shown utilizing pin retention.

*The dimension above include 1/16" clearance between the extension on the bearing and the side frame at each end.



Standard Part Numbering System

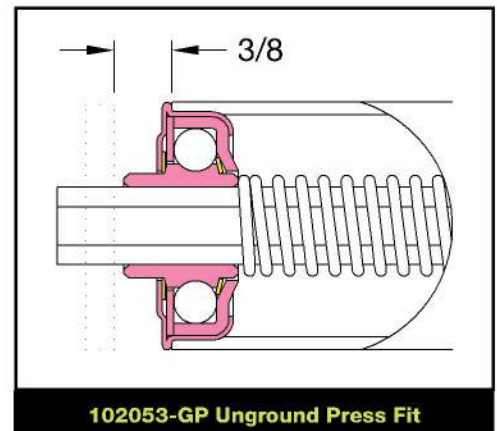
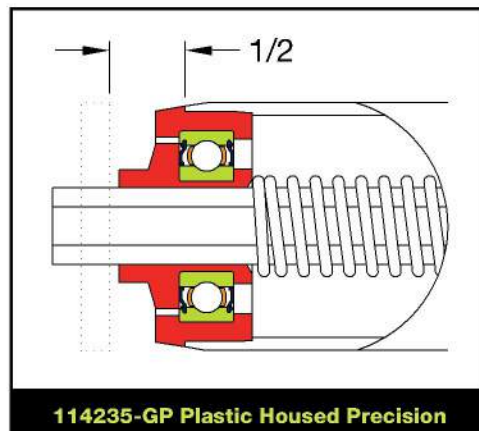
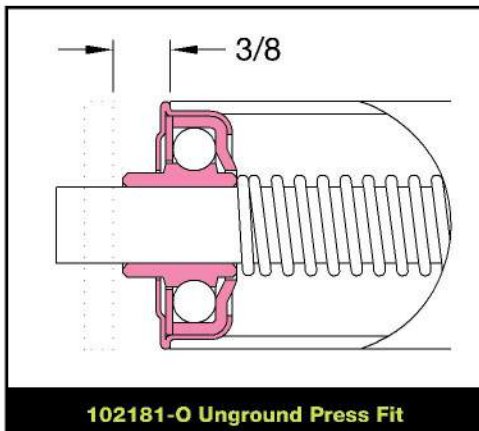
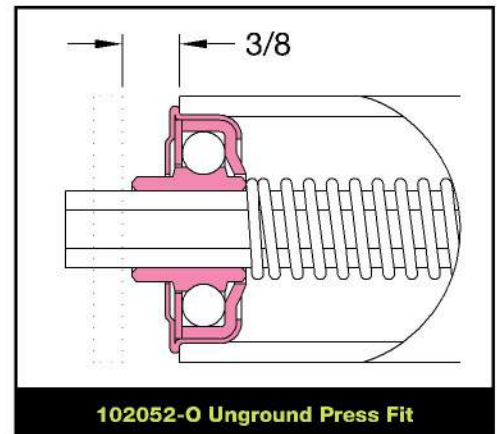
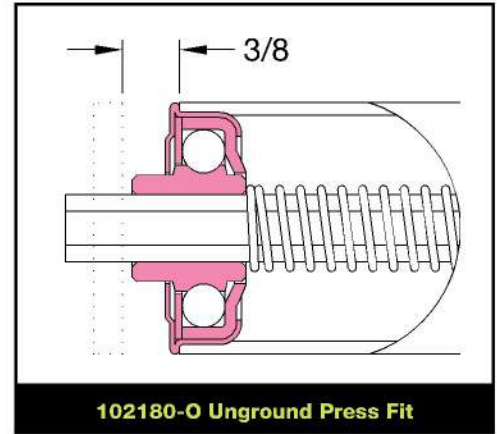
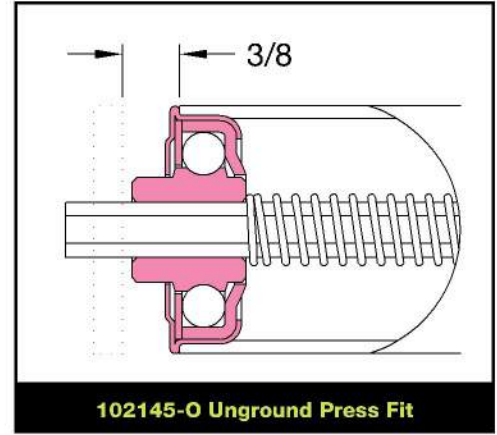
Example: 27369 - 17
 Roller Part Number BF

1 3/4 in. O.D. x 10 Ga. Rollers

Roller Part Number		Tube Material	Axle	Drive Options	Bearing Part Number
Spring Retained	Pin Retained				
40075	40074	Mild Steel	5/16 Hex	Gravity	102145-O
40077	40076	Mild Steel	3/8 Hex	Gravity	102180-O
28510	28511	Mild Steel	7/16 Hex	Gravity	102052-O
28534	28535	Mild Steel	7/16 Hex	Gravity	102053-GP
43211	43210	Mild Steel	7/16 Hex	Gravity	114235-GP
40079	40078	Mild Steel	1/2 Dia.	Gravity	102181-O

Roller Capacity Chart (lbs.)*

Between Frame (BF) Inches	Bearing Part Number				
	102145-O	102180-O	102052-O 102053-GP	114235-GP	102181-O
6	228	289	289	524	289
9	226	288	288	523	288
12	196	288	288	521	288
15	153	287	287	506	287
18	124	263	267	414	267
21	103	221	286	349	286
24	87	189	286	301	286
27	75	164	285	262	285
30	64	143	276	231	284
33	55	126	245	205	284
36	47	111	218	182	283
39	39	97	195	163	280
42	32	85	174	145	252
45	26	74	156	129	227
48	20	63	138	115	204
51	N/A	54	122	101	183
54	N/A	44	107	89	163
57	N/A	35	93	77	145
60	N/A	27	80	65	127
63	N/A	18	66	54	110
66	N/A	N/A	54	43	94
69	N/A	N/A	41	33	78
72	N/A	N/A	29	22	62
75	N/A	N/A	N/A	N/A	47
78	N/A	N/A	N/A	N/A	32



*Larger Between Frames and higher capacities may be achieved with a center support puck.

*Roller Between Frame lengths available between values shown in the table.

*Roller Between Frames can be shorter than values shown utilizing pin retention.

Standard Part Numbering System

Example: 27369 - 17

Roller Part Number BF



Uground



Uground Stainless Steel



Semi-Precision



Semi-Precision Stainless Steel



Precision



Precision Stainless Steel



Plastic



Seats



Shields



Ball Retainer (Cage)



Keeper Bar

*The dimension above include 1/16" clearance between the extension on the bearing and the side frame at each end.

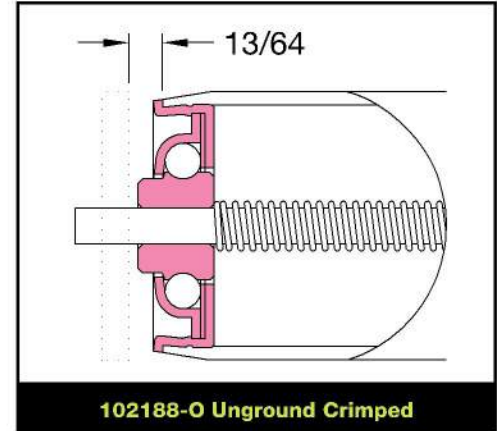
STRAIGHT ROLLERS

1 7/8 in. O.D. x 13 Ga. Rollers

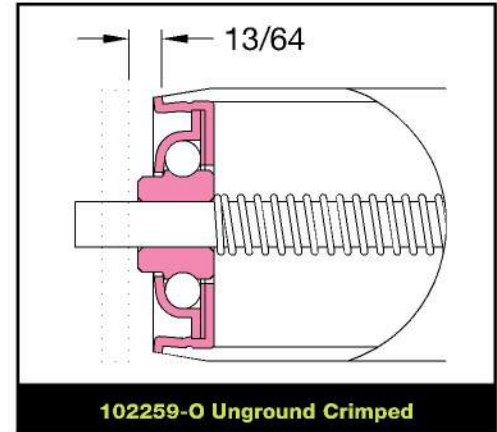
Roller Part Number		Tube Material	Axle	Drive Options	Bearing Part Number
Spring Retained	Pin Retained				
28502	Upon Request	Mild Steel	1/4 Dia.	Gravity	102188-O
38184	28503	Mild Steel	5/16 Dia.	Gravity	102259-O
40082	40081	Mild Steel	5/16 Hex	Gravity	102248-O
37972	40083	Mild Steel	3/8 Dia.	Gravity	102293-O
40085	40084	Mild Steel	3/8 Hex	Gravity	102292-O
17438	17439	Mild Steel	7/16 Hex	Gravity	115899-O
37345	37347	Mild Steel	7/16 Hex	1 Groove	115899-GP
37346	37348	Mild Steel	7/16 Hex	2 Grooves	

Roller Capacity Chart (lbs.)*

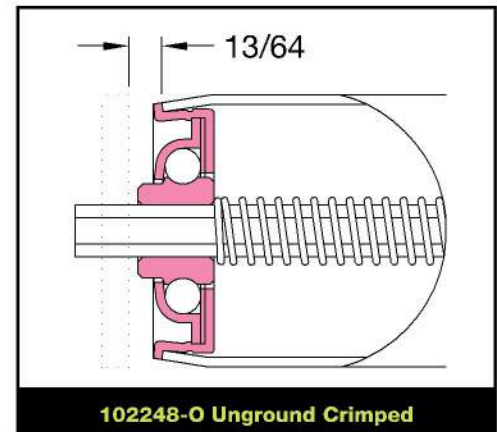
Between Frame (BF) Inches	Bearing Part Number					
	102188-O	102259-O	102248-O	102293-O	102292-O	115899-O 115899-GP
6	167	269	269	269	269	269
9	132	269	269	269	269	269
12	96	223	268	268	268	268
15	75	175	215	268	268	268
18	60	143	176	267	267	267
21	49	119	147	254	267	267
24	41	101	126	218	266	266
27	34	87	108	189	234	266
30	28	75	93	165	205	266
33	22	64	81	145	181	265
36	18	55	70	128	160	265
39	13	46	60	112	142	240
42	N/A	39	51	98	125	215
45	N/A	31	42	85	110	193
48	N/A	25	34	73	95	172
51	N/A	N/A	N/A	62	82	153
54	N/A	N/A	N/A	51	69	135
57	N/A	N/A	N/A	40	57	118
60	N/A	N/A	N/A	30	45	102
63	N/A	N/A	N/A	20	34	86
66	N/A	N/A	N/A	N/A	N/A	71
69	N/A	N/A	N/A	N/A	N/A	56
72	N/A	N/A	N/A	N/A	N/A	41
75	N/A	N/A	N/A	N/A	N/A	27



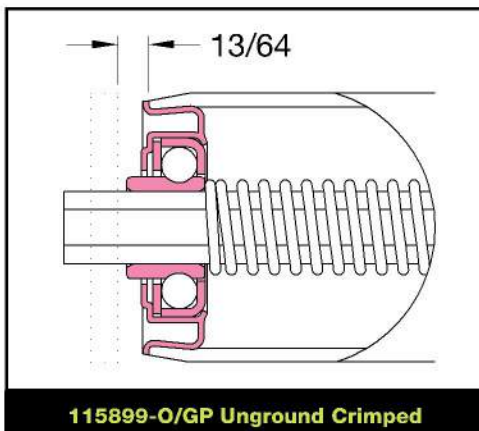
102188-O Unground Crimped



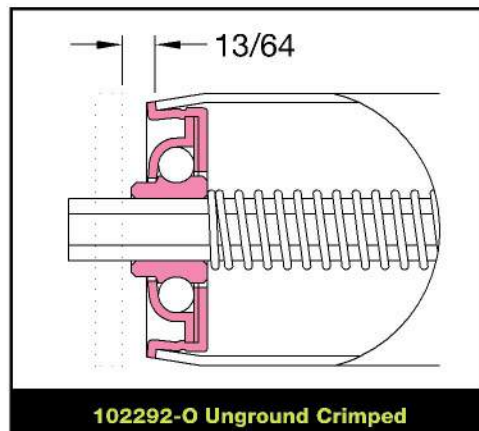
102259-O Unground Crimped



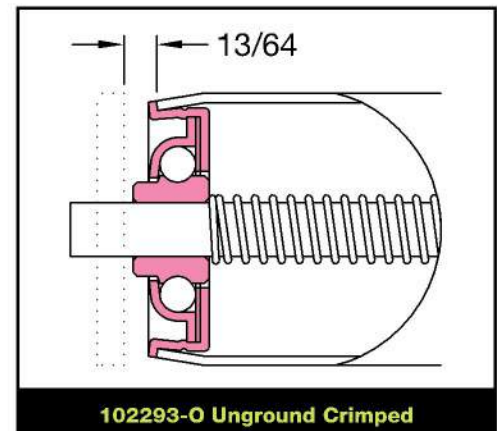
102248-O Unground Crimped



115899-O/GP Unground Crimped



102292-O Unground Crimped



102293-O Unground Crimped








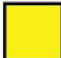



*The dimension above include 1/16" clearance between the extension on the bearing and the side frame at each end.

*Larger Between Frames and higher capacities may be achieved with a center support puck.

*Roller Between Frame lengths available between values shown in the table.

*Roller Between Frames can be shorter than values shown utilizing pin retention.

Page 24

										
Unground	Unground Stainless Steel	Semi-Precision	Semi-Precision Stainless Steel	Precision	Precision Stainless Steel	Plastic	Seals	Shields	Ball Retainer (Cage)	Keeper Bar

Standard Part Numbering System

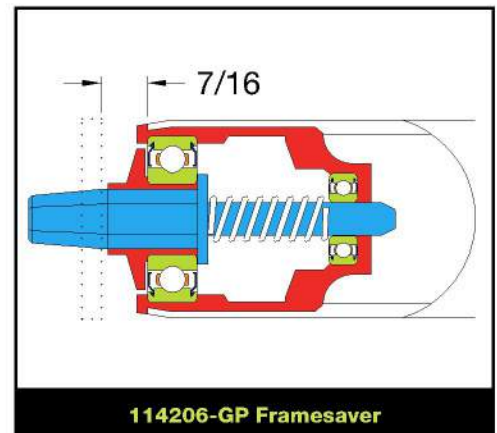
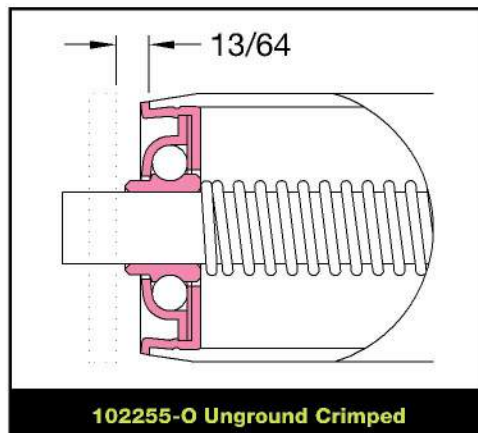
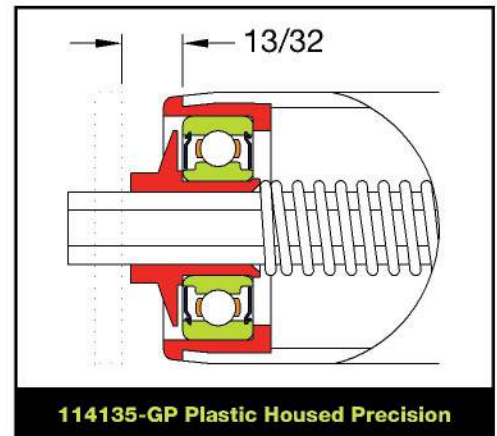
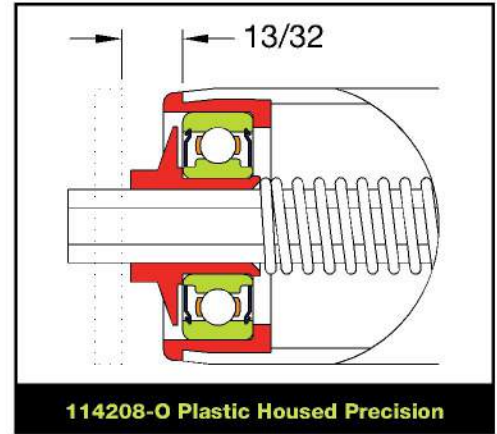
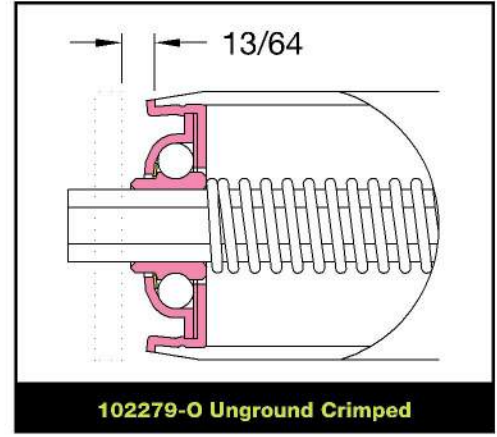
Example: 27369 - 17
 Roller Part Number BF

1 7/8 in. O.D. x 13 Ga. Rollers

Roller Part Number		Tube Material	Axle	Drive Options	Bearing Part Number
Spring Retained	Pin Retained				
37979	37980	Mild Steel	7/16 Hex	Gravity	102279-O
42255	42254	Mild Steel	7/16 Hex	Gravity	114208-O
42251	42250	Mild Steel	7/16 Hex	Gravity	114135-GP
42259	42258	Mild Steel	7/16 Hex	1 Groove	
42264	42263	Mild Steel	7/16 Hex	2 Grooves	114206-GP
42256	N/A	Mild Steel	7/16 Hex	Gravity	
42262	N/A	Mild Steel	7/16 Hex	1 Groove	
42267	N/A	Mild Steel	7/16 Hex	2 Grooves	102255-O
40087	40086	Mild Steel	1/2 Dia.	Gravity	

Roller Capacity Chart (lbs.)*

Between Frame (BF) Inches	Bearing Part Number				
	102279-O	114208-O	114135-GP	114206-GP	102255-O
6	269	501	501	NA	269
9	269	499	499	209	269
12	268	498	498	208	268
15	268	485	485	208	268
18	267	397	397	207	267
21	267	335	335	207	267
24	266	288	288	207	266
27	266	251	251	206	266
30	266	222	222	206	266
33	265	197	197	205	265
36	265	175	175	205	265
39	264	157	157	204	264
42	251	140	140	204	264
45	225	125	125	203	263
48	201	111	111	203	263
51	179	98	98	202	262
54	158	86	86	202	237
57	138	75	75	202	211
60	120	64	64	201	187
63	101	53	53	201	163
66	84	43	43	200	140
69	67	33	33	200	118
72	50	23	23	192	97
75	33	N/A	N/A	175	76
78	N/A	N/A	N/A	160	55
81	N/A	N/A	N/A	147	34



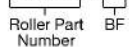
*Larger Between Frames and higher capacities may be achieved with a center support puck.

*Roller Between Frame lengths available between values shown in the table.

*Roller Between Frames can be shorter than values shown utilizing pin retention.

Standard Part Numbering System

Example: 27369 - 17



Unground



Unground Stainless Steel



Semi-Precision



Semi-Precision Stainless Steel



Precision



Precision Stainless Steel



Plastic



Seats



Shields



Ball Retainer (Cage)



Keeper Bar

*The dimension above include 1/16" clearance between the extension on the bearing and the side frame at each end.

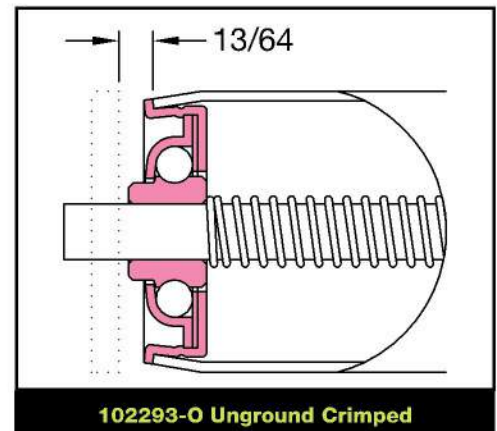
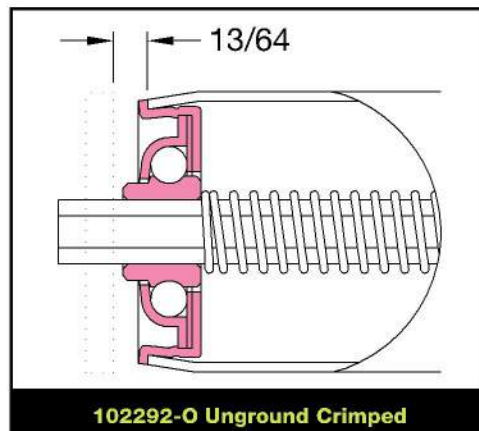
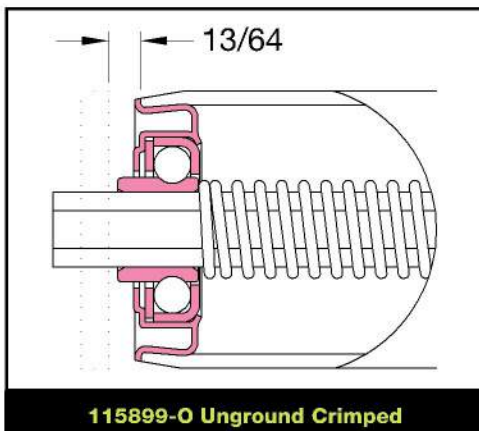
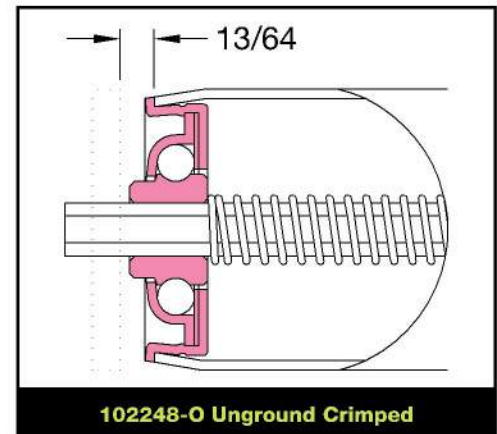
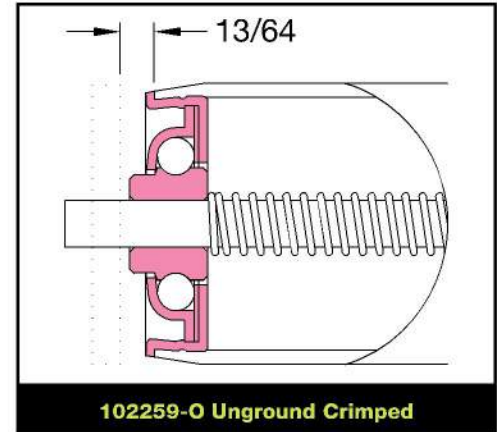
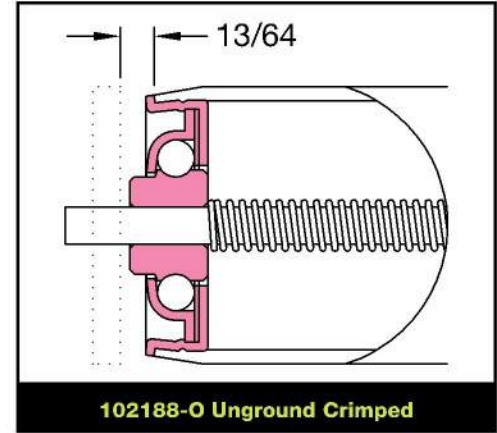
STRAIGHT ROLLERS

1.9 in. O.D. x 16 Ga. Rollers

Roller Part Number		Tube Material	Axle	Drive Options	Bearing Part Number
Spring Retained	Pin Retained				
28491	Upon Request	Mild Steel	1/4 Dia.	Gravity	102188-O
41530	41529	Mild Steel	5/16 Dia.	Gravity	102259-O
28494	28495	Mild Steel	5/16 Hex	Gravity	102248-O
37973	30502	Mild Steel	3/8 Dia.	Gravity	102293-O
38185	28497	Mild Steel	3/8 Hex	Gravity	102292-O
Upon Request	24877	Mild Steel	7/16 Hex	Gravity	115899-O
45072	41528	Galvanized	7/16 Hex	Gravity	

Roller Capacity Chart (lbs.)*

Between Frame (BF) Inches	Bearing Part Number					
	102188-O	102259-O	102248-O	102293-O	102292-O	115899-O
6	167	269	269	269	269	269
9	133	269	269	269	269	269
12	97	224	269	269	269	269
15	75	176	216	268	268	268
18	61	144	177	268	268	268
21	50	120	148	255	268	268
24	42	102	127	219	267	267
27	35	88	109	190	235	267
30	29	76	95	167	207	267
33	24	66	82	147	183	267
36	19	56	72	129	162	266
39	15	48	62	114	143	242
42	N/A	41	53	100	127	217
45	N/A	33	44	87	112	195
48	N/A	27	37	75	97	174
51	N/A	N/A	N/A	64	84	155
54	N/A	N/A	N/A	53	72	137
57	N/A	N/A	N/A	43	60	120
60	N/A	N/A	N/A	33	48	104
63	N/A	N/A	N/A	23	36	89
66	N/A	N/A	N/A	N/A	N/A	74
69	N/A	N/A	N/A	N/A	N/A	59
72	N/A	N/A	N/A	N/A	N/A	44
75	N/A	N/A	N/A	N/A	N/A	30

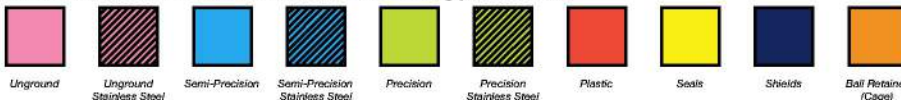


*Larger Between Frames and higher capacities may be achieved with a center support puck.

*Roller Between Frame lengths available between values shown in the table.

*Roller Between Frames can be shorter than values shown utilizing pin retention.

*The dimension above include 1/16" clearance between the extension on the bearing and the side frame at each end.



Standard Part Numbering System

Example: 27369 - 17
 Roller Part Number BF

1.9 in. O.D. x 16 Ga. Rollers

Roller Part Number		Tube Material	Axle	Drive Options	Bearing Part Number
Spring Retained	Pin Retained				
23616	Upon Request	Mild Steel	7/16 Hex	Gravity	115899-GP
28105	37343	Mild Steel	7/16 Hex	1 Groove	
28106	37344	Mild Steel	7/16 Hex	2 Grooves	
26157	45071	Galvanized	7/16 Hex	Gravity	
37824	Upon Request	Galvanized	7/16 Hex	1 Groove	
37825	Upon Request	Galvanized	7/16 Hex	2 Grooves	
37977	37978	Mild Steel	7/16 Hex	Gravity	102279-O
42199	42198	Mild Steel	7/16 Hex	Gravity	114208-O
42203	42202	Galvanized	7/16 Hex	Gravity	
42070	42069	Mild Steel	7/16 Hex	Gravity	114135-GP
42072	42071	Galvanized	7/16 Hex	Gravity	
42075	42073	Galvanized	7/16 Hex	1 Groove	
42076	42074	Galvanized	7/16 Hex	2 Grooves	

*Roller 23616, 26157, 37824 and 37825 stock options available.

Roller Capacity Chart (lbs.)*

Between Frame (BF) Inches	Bearing Part Number			
	115899-GP	102279-O	114208-O	114135-GP
6	269	269	501	501
9	269	269	500	500
12	269	269	498	498
15	268	268	485	485
18	268	268	398	398
21	268	268	336	336
24	267	267	289	289
27	267	267	253	253
30	267	267	223	223
33	267	267	198	198
36	266	266	177	177
39	242	266	158	158
42	217	253	142	142
45	195	227	127	127
48	174	203	113	113
51	155	181	100	100
54	137	161	89	89
57	120	141	77	77
60	104	122	67	67
63	89	104	56	56
66	74	87	46	46
69	59	70	36	36
72	44	53	27	27
75	30	36	N/A	N/A

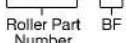
*Larger Between Frames and higher capacities may be achieved with a center support puck.

*Roller Between Frame lengths available between values shown in the table.

*Roller Between Frames can be shorter than values shown utilizing pin retention.

Standard Part Numbering System

Example: 27369 - 17



Unground



Unground Stainless Steel



Semi-Precision



Semi-Precision Stainless Steel



Precision



Precision Stainless Steel



Plastic



Seats



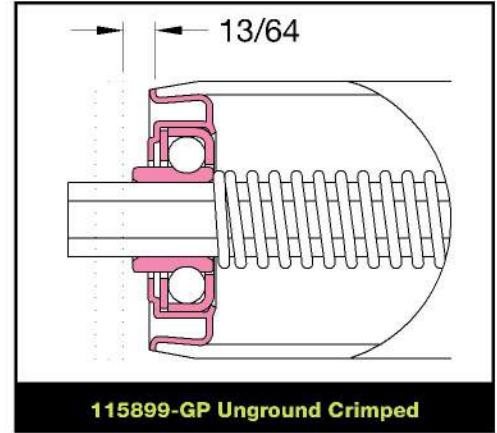
Shields



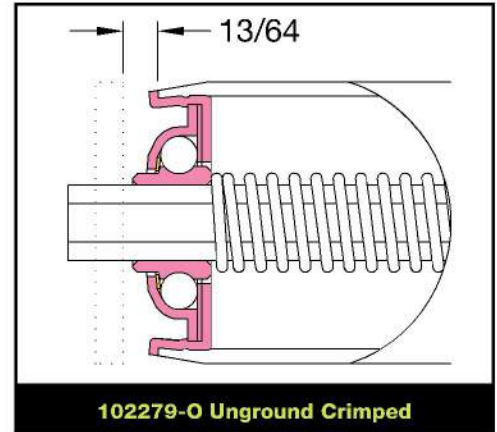
Ball Retainer (Cage)



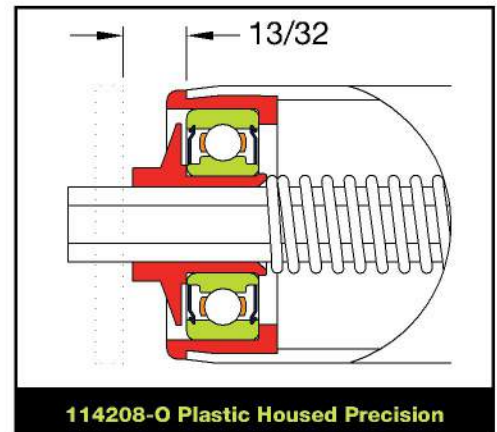
Keeper Bar



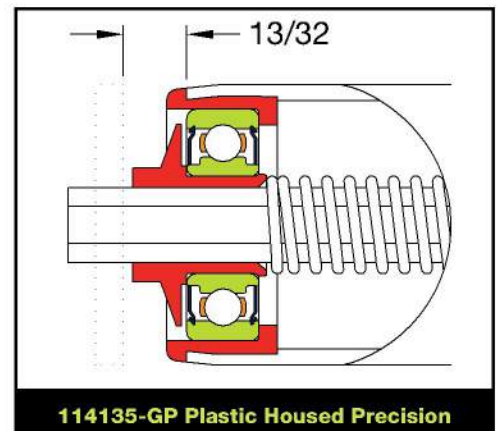
115899-GP Unground Crimped



102279-O Unground Crimped



114208-O Plastic Housed Precision



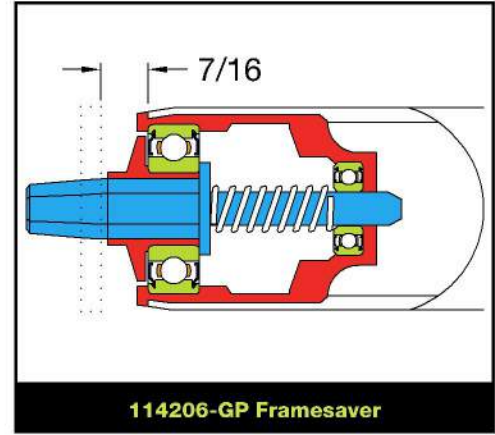
114135-GP Plastic Housed Precision

*The dimension above include 1/16" clearance between the extension on the bearing and the side frame at each end.

STRAIGHT ROLLERS

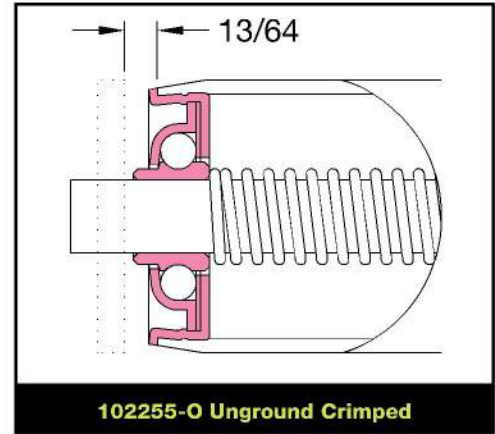
1.9 in. O.D. x 16 Ga. Rollers

Roller Part Number		Tube Material	Axle	Drive Options	Bearing Part Number
Spring Retained	Pin Retained				
42208	N/A	Mild Steel	7/16 Hex	Gravity	114206-GP
42210	N/A	Galvanized	7/16 Hex	Gravity	
42212	N/A	Galvanized	7/16 Hex	1 Groove	
42213	N/A	Galvanized	7/16 Hex	2 Grooves	
37818	28429	Mild Steel	1/2 Dia.	Gravity	102255-O
45030	Upon Request	Galvanized	1/2 Dia.	Gravity	



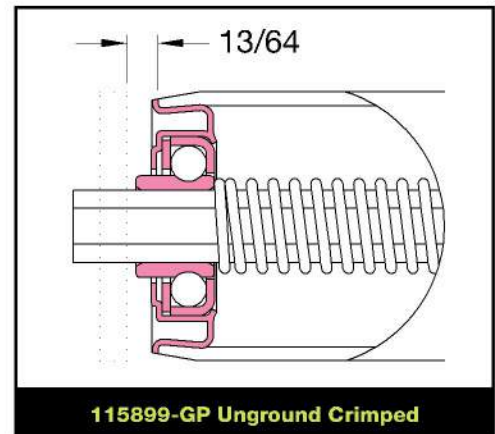
Roller Capacity Chart (lbs.)*

Between Frame (BF) Inches	Bearing Part Number		Between Frame (BF) Inches	Bearing Part Number	
	114206-GP	102255-O		114206-GP	102255-O
6	NA	269	45	205	265
9	209	269	48	205	265
12	209	269	51	205	265
15	208	268	54	204	239
18	208	268	57	204	214
21	208	268	60	204	189
24	208	267	63	192	166
27	207	267	66	174	143
30	207	267	69	158	121
33	207	267	72	144	100
36	206	266	75	131	79
39	206	266	78	120	58
42	206	266	81	111	38



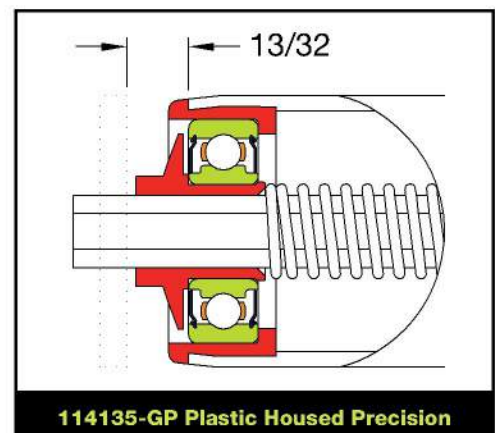
1.9 in. O.D. x 12 Ga. Rollers

Roller Part Number		Tube Material	Axle	Drive Options	Bearing Part Number
Spring Retained	Pin Retained				
44540	44541	Mild Steel	7/16 Hex	Gravity	115899-GP
44896	Upon Request	Mild Steel	7/16 Hex	Gravity	114135-GP



Roller Capacity Chart (lbs.)*

Between Frame (BF) Inches	Bearing Part Number	
	115899-GP	114135-GP
6	269	501
12	268	497
18	267	397
24	266	288
30	265	221
36	264	174
42	214	139
48	171	110
54	134	85
60	100	62
66	69	42
72	39	22



*Larger Between Frames and higher capacities may be achieved with a center support puck.

*Roller Between Frame lengths available between values shown in the table.

*Roller Between Frames can be shorter than values shown utilizing pin retention.

*The dimension above include 1/16" clearance between the extension on the bearing and the side frame at each end.



Standard Part Numbering System

Example: 27369 - 17
 Roller Part Number BF

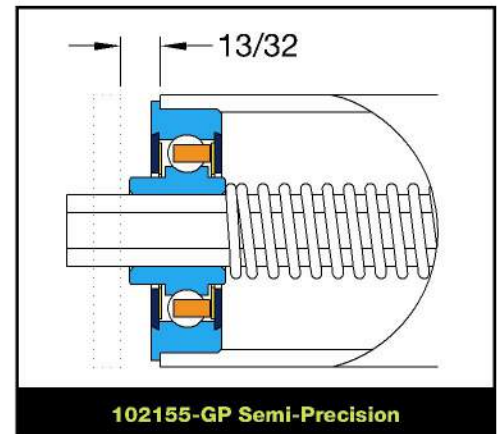
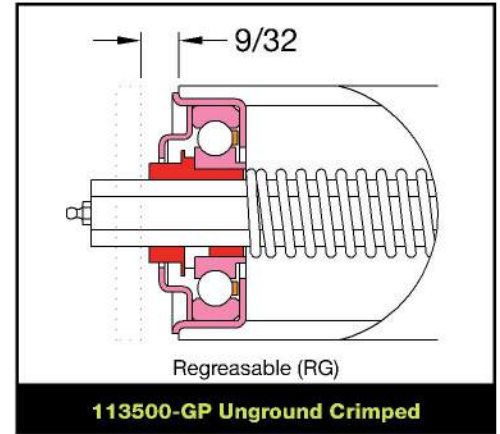
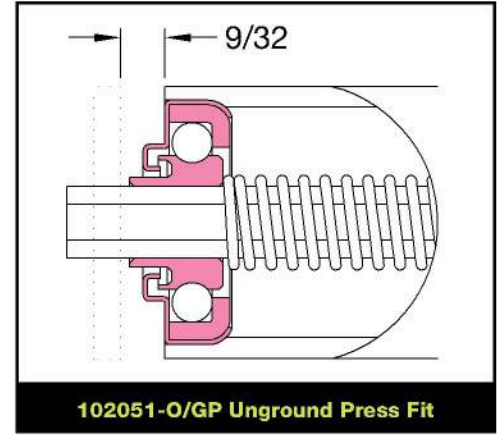
1.9 in. O.D. x 9 Ga. Rollers

Roller Part Number		Tube Material	Axle	Drive Options	Bearing Part Number
Spring Retained	Pin Retained				
11386	11379	Mild Steel	7/16 Hex	Gravity	102051-O
Upon Request	39486	Galvanized	7/16 Hex	Gravity	
44897	Upon Request	Mild Steel	7/16 Hex	Gravity	102051-GP
37349	37351	Mild Steel	7/16 Hex	1 Groove	
37350	37352	Mild Steel	7/16 Hex	2 Grooves	
38209	38208	Mild Steel	7/16 Hex	40A18 Sprockets	
38211	38210	Mild Steel	7/16 Hex	50A15 Sprockets	
38732	38733	Mild Steel	7/16 Hex	60A13 Sprockets	
44898	Upon Request	Galvanized	7/16 Hex	Gravity	
44884	39487	Galvanized	7/16 Hex	1 Groove	
44474	39488	Galvanized	7/16 Hex	2 Grooves	
44912	44911	Galvanized	7/16 Hex	40A18 Sprockets	
44914	44913	Galvanized	7/16 Hex	50A15 Sprockets	
44916	44915	Galvanized	7/16 Hex	60A13 Sprockets	
42026	N/A	Mild Steel	7/16 Hex (RG)	Gravity	113500-GP
25275	25274	Mild Steel	7/16 Hex	Gravity	102155-GP
39861	39859	Mild Steel	7/16 Hex	1 Groove	
39862	39860	Mild Steel	7/16 Hex	2 Grooves	
39749	39748	Mild Steel	7/16 Hex	40A18 Sprockets	
39751	39750	Mild Steel	7/16 Hex	50A15 Sprockets	
39753	39752	Mild Steel	7/16 Hex	60A13 Sprockets	
45349	45350	Galvanized	7/16 Hex	Gravity	

*Roller 25275 and 39488 stock options available.

Roller Capacity Chart (lbs.)*

Between Frame (BF) Inches	Bearing Part Number		
	102051-O 102051-GP	113500-GP	102155-GP
6	299	602	565
12	297	598	518
18	296	473	331
24	295	343	238
30	292	264	181
36	231	208	140
42	184	166	108
48	146	131	81
54	113	101	57
60	83	74	35
63	69	61	25
66	55	49	N/A
72	29	25	N/A



*The dimension above include 1/16" clearance between the extension on the bearing and the side frame at each end.

*Larger Between Frames and higher capacities may be achieved with a center support puck.

*Roller Between Frame lengths available between values shown in the table.

*Roller Between Frames can be shorter than values shown utilizing pin retention.

Standard Part Numbering System

Example: 27369 - 17

Roller Part Number BF



Unground



Unground Stainless Steel



Semi-Precision



Semi-Precision Stainless Steel



Precision



Precision Stainless Steel



Plastic



Seats



Shields



Ball Retainer (Cage)

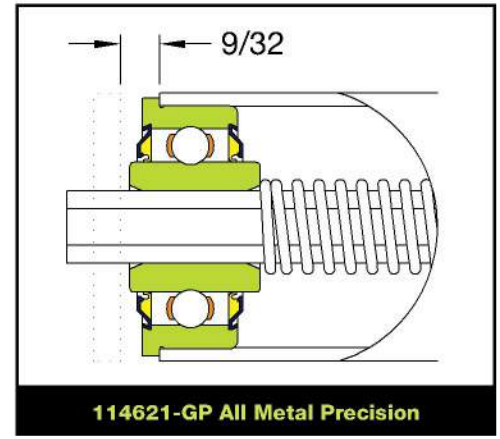
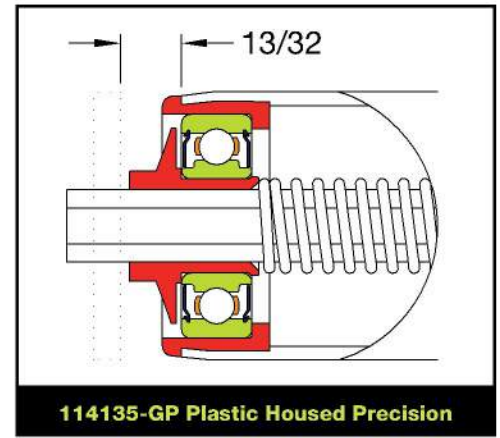
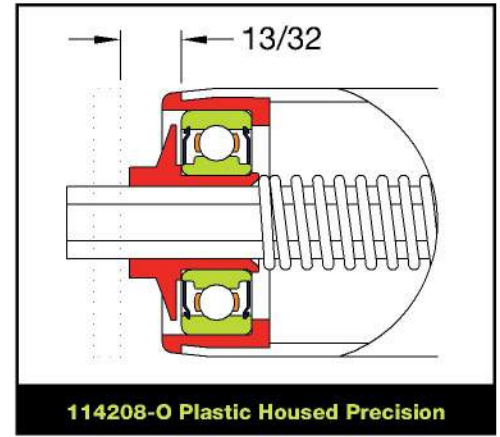


Keeper Bar

STRAIGHT ROLLERS

1.9 in. O.D. x 9 Ga. Rollers

Roller Part Number		Tube Material	Axle	Drive Options	Bearing Part Number	
Spring Retained	Pin Retained					
42219	42218	Mild Steel	7/16 Hex	Gravity	114208-O	
42225	42224	Galvanized	7/16 Hex	Gravity		
42215	42214	Mild Steel	7/16 Hex	Gravity		
42231	42230	Mild Steel	7/16 Hex	1 Groove	114135-GP	
42239	42238	Mild Steel	7/16 Hex	2 Grooves		
42570	42571	Mild Steel	7/16 Hex	40A18 Sprockets		
42574	42575	Mild Steel	7/16 Hex	50A15 Sprockets		
42578	42579	Mild Steel	7/16 Hex	60A13 Sprockets		
42221	42220	Galvanized	7/16 Hex	Gravity		
42235	42234	Galvanized	7/16 Hex	1 Groove		
42243	42242	Galvanized	7/16 Hex	2 Grooves		
43499	43500	Mild Steel	7/16 Hex	Gravity		114621-GP
43527	43526	Mild Steel	7/16 Hex	1 Groove		
43529	43528	Mild Steel	7/16 Hex	2 Grooves		
43507	43508	Mild Steel	7/16 Hex	40A18 Sprockets		
43509	43510	Mild Steel	7/16 Hex	50A15 Sprockets		
43511	43512	Mild Steel	7/16 Hex	60A13 Sprockets		
43505	43506	Galvanized	7/16 Hex	Gravity		
43523	43522	Galvanized	7/16 Hex	1 Groove		
43525	43524	Galvanized	7/16 Hex	2 Grooves		
44918	44917	Galvanized	7/16 Hex	40A18 Sprockets		
44920	44919	Galvanized	7/16 Hex	50A15 Sprockets		
44922	44921	Galvanized	7/16 Hex	60A13 Sprockets		



*The dimension above include 1/16" clearance between the extension on the bearing and the side frame at each end.







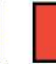




Roller Capacity Chart (lbs.)*

Between Frame (BF) Inches	Bearing Part Number		
	114208-O	114135-GP	114621-GP
6	500	500	681
12	497	497	617
18	396	396	397
24	286	286	286
30	219	219	218
36	173	173	169
42	137	137	131
48	107	107	99
54	82	82	71
60	59	59	45
63	49	49	33
66	38	38	N/A

*Larger Between Frames and higher capacities may be achieved with a center support puck.

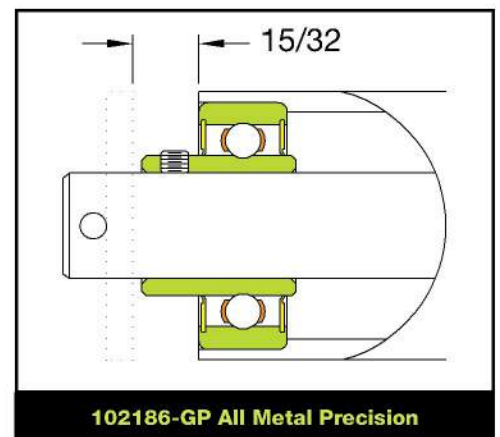
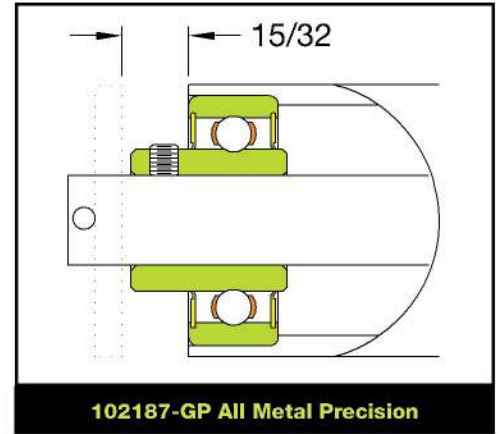
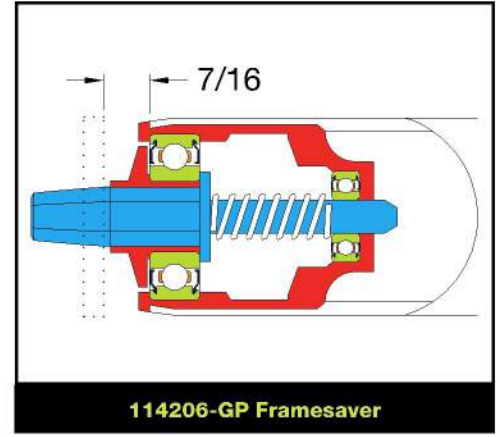
*Roller Between Frame lengths available between values shown in the table.

*Roller Between Frames can be shorter than values shown utilizing pin retention.

Page 30	 Unground	 Unground Stainless Steel	 Semi-Precision	 Semi-Precision Stainless Steel	 Precision	 Precision Stainless Steel	 Plastic	 Seals	 Shields	 Ball Retainer (Cage)	 Keeper Bar	Standard Part Numbering System Example: 27369 - 17 Roller Part Number BF
---------	--	--	--	--	---	---	---	---	---	---	--	--

1.9 in. O.D. x 9 Ga. Rollers

Roller Part Number		Tube Material	Axle	Drive Options	Bearing Part Number
Spring Retained	Pin Retained				
42226	N/A	Mild Steel	7/16 Hex	Gravity	114206-GP
42246	N/A	Mild Steel	7/16 Hex	1 Groove	
42247	N/A	Mild Steel	7/16 Hex	2 Grooves	
42228	N/A	Galvanized	7/16 Hex	Gravity	
42248	N/A	Galvanized	7/16 Hex	1 Groove	
42249	N/A	Galvanized	7/16 Hex	2 Grooves	
N/A	28508	Mild Steel	5/8 Dia.	Gravity	102187-GP
N/A	28509	Mild Steel	3/4 Dia.	Gravity	102186-GP



*The dimension above include 1/16" clearance between the extension on the bearing and the side frame at each end.

Roller Capacity Chart (lbs.)*

Between Frame (BF) Inches	Bearing Part Number		
	114206-GP	102187-GP	102186-GP
6	N/A	700	700
12	207	700	700
18	206	700	700
24	205	565	700
30	203	436	700
36	202	348	700
42	201	282	617
48	199	229	514
54	198	183	429
60	197	143	356
63	196	125	322
66	195	107	290
72	194	72	230
78	193	39	174
84	191	N/A	120
90	169	N/A	68

*Larger Between Frames and higher capacities may be achieved with a center support puck.

*Roller Between Frame lengths available between values shown in the table.

*Roller Between Frames can be shorter than values shown utilizing pin retention.

Standard Part Numbering System

Example: $\frac{27369}{\text{Roller Part Number}} - \frac{17}{\text{BF}}$



Unground



Unground Stainless Steel



Semi-Precision



Semi-Precision Stainless Steel



Precision



Precision Stainless Steel



Plastic



Seats



Shields



Ball Retainer (Cage)



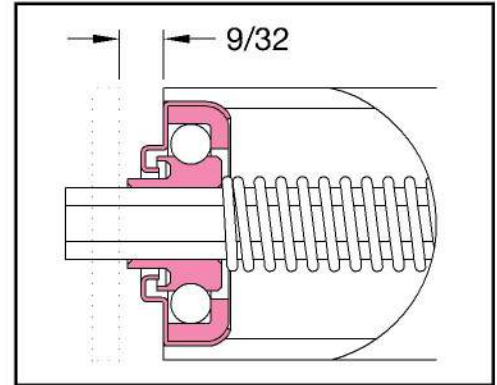
Keeper Bar

1 1/2 in. Pipe Rollers (1.9 in. O.D.)

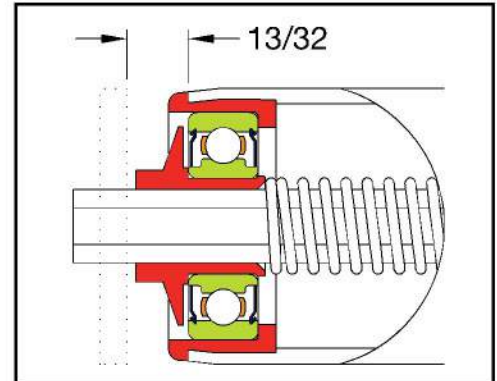
Roller Part Number		Tube Material	Axle	Drive Options	Bearing Part Number
Spring Retained	Pin Retained				
28783	28784	SCH 40 PVC**	7/16 Hex	Gravity	102051-O
44546	44547	SCH 80 PVC**	7/16 Hex	Gravity	
27369	Upon Request	SCH 40 Aluminum	7/16 Hex	Gravity	
42290	Upon Request	SCH 40 Aluminum	7/16 Hex	Gravity	114208-O
42289	Upon Request	SCH 40 Aluminum	7/16 Hex	Gravity	114135-GP
42291	Upon Request	SCH 40 Aluminum	7/16 Hex	Gravity	114206-GP

Roller Capacity Chart (lbs.)*

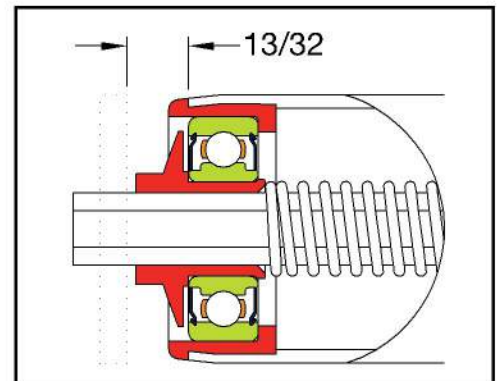
Between Frame (BF) Inches	Bearing Part Number				
	102051-O SCH 40 PVC**	102051-O SCH 80 PVC**	102051-O Aluminum	114208-O 114135-GP Aluminum	114206-GP Aluminum
6	300	300	300	501	N/A
12	163	206	299	498	209
18	107	135	299	398	209
24	79	100	298	289	208
30	62	79	296	223	208
36	44	55	236	177	207
42	31	39	190	143	207
48	23	29	153	114	206
54	17	22	121	90	174
60	13	17	92	68	139
63	N/A	N/A	78	58	125
66	N/A	N/A	65	48	113
72	N/A	N/A	40	28	93
78	N/A	N/A	N/A	N/A	78
84	N/A	N/A	N/A	N/A	66
90	N/A	N/A	N/A	N/A	56



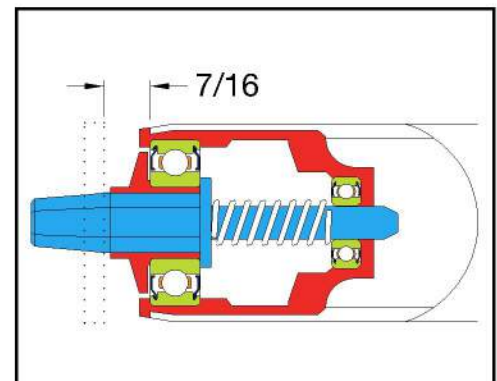
102051-O/GP Unground Press Fit



114208-O Plastic Housed Precision



114135-GP Plastic Housed Precision



114206-GP Framesaver

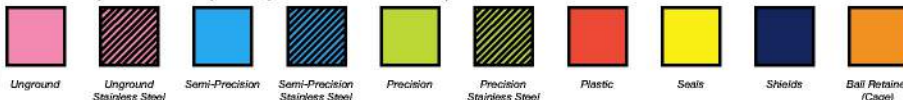
*The dimension above include 1/16" clearance between the extension on the bearing and the side frame at each end.

*Larger Between Frames and higher capacities may be achieved with a center support puck.

*Roller Between Frame lengths available between values shown in the table.

*Roller Between Frames can be shorter than values shown utilizing pin retention.

**PVC Pipe is industrial grade. At longer lengths T.I.R. cannot be guaranteed.



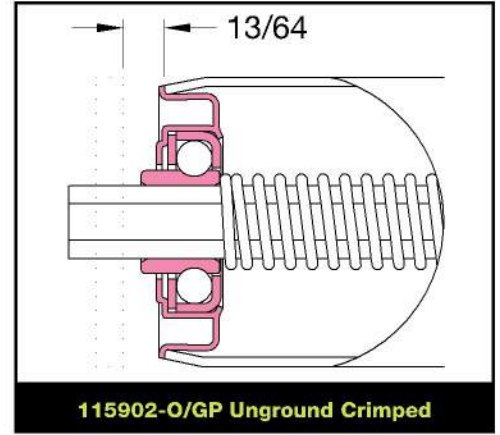
Standard Part Numbering System

Example: 27369 - 17

Roller Part Number BF

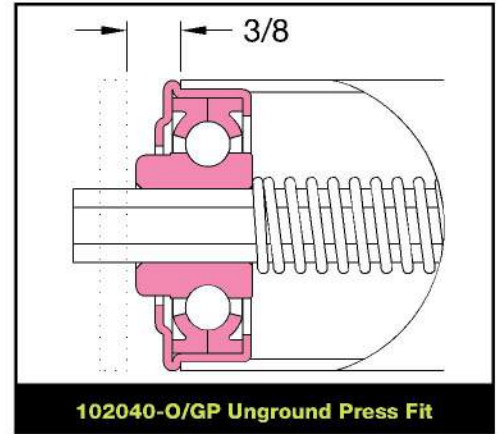
2 in. O.D. x 16 Ga. Rollers

Roller Part Number		Tube Material	Axle	Drive Options	Bearing Part Number
Spring Retained	Pin Retained				
27493	27492	Mild Steel	7/16 Hex	Gravity	115902-O
37353	37355	Mild Steel	7/16 Hex	1 Groove	115902-GP
37354	37356	Mild Steel	7/16 Hex	2 Grooves	



Roller Capacity Chart (lbs.)*

Between Frame (BF) Inches	Bearing Part Number
	115902-O 115902-GP
6	269
12	269
18	268
24	267
30	267
36	266
42	217
48	174
54	137
60	104
66	73
72	44
75	30



*The dimension above include 1/16" clearance between the extension on the bearing and the side frame at each end.

2 in. O.D. x 14 Ga. Rollers

Roller Part Number		Tube Material	Axle	Drive Options	Bearing Part Number
Spring Retained	Pin Retained				
27422	27421	Mild Steel	7/16 Hex	Gravity	102040-O
37357	37359	Mild Steel	7/16 Hex	1 Groove	102040-GP
37358	37360	Mild Steel	7/16 Hex	2 Grooves	

Roller Capacity Chart (lbs.)*

Between Frame (BF) Inches	Bearing Part Number
	102040-O 102040-GP
6	379
12	378
18	378
24	340
30	262
36	208
42	166
48	133
54	103
60	77
66	53
72	30

*Larger Between Frames and higher capacities may be achieved with a center support puck.

*Roller Between Frame lengths available between values shown in the table.

*Roller Between Frames can be shorter than values shown utilizing pin retention.

Standard Part Numbering System

Example: 27369 - 17

Roller Part Number BF



Unground



Unground Stainless Steel



Semi-Precision



Semi-Precision Stainless Steel



Precision



Precision Stainless Steel



Plastic



Seats



Shields



Ball Retainer (Cage)



Keeper Bar

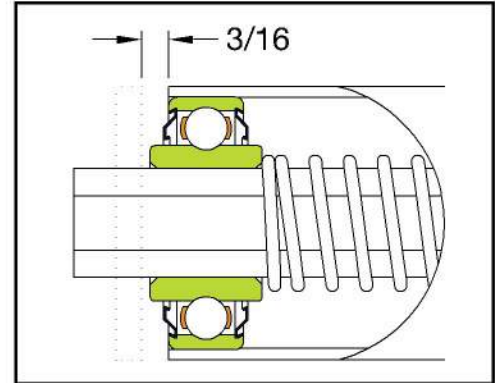
STRAIGHT ROLLERS

2 in. O.D. x 11 Ga. Rollers

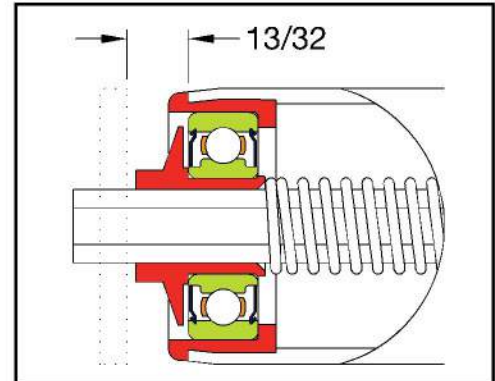
Roller Part Number		Tube Material	Axle	Drive Options	Bearing Part Number
Spring Retained	Pin Retained				
28515	28516	Mild Steel	11/16 Hex	Gravity	112798-O

Roller Capacity Chart (lbs.)*

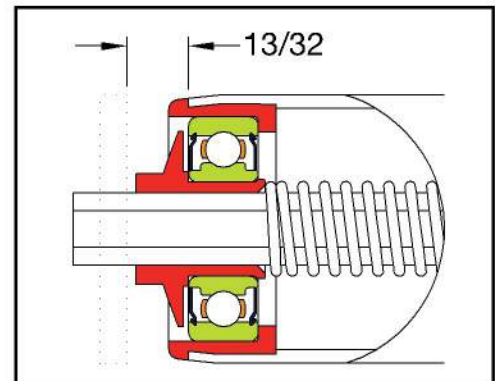
Between Frame (BF) Inches	Bearing Part Number	
	112789-O	112789-O
6	700	54
12	700	60
18	700	66
24	700	72
30	700	78
36	700	84
42	700	90
48	660	



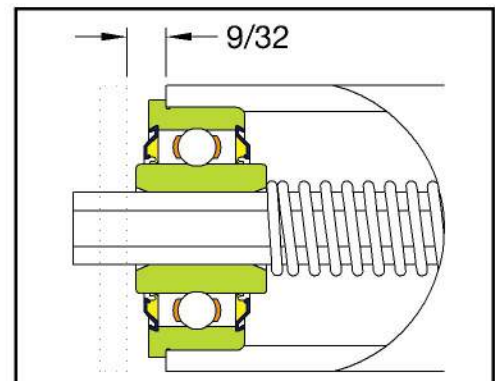
112798-O All Metal Precision



114208-O Plastic Housed Precision



114135-GP Plastic Housed Precision



114621-GP All Metal Precision

*The dimension above include 1/16" clearance between the extension on the bearing and the side frame at each end.

2 in. O.D. x 7 Ga. Rollers

Roller Part Number		Tube Material	Axle	Drive Options	Bearing Part Number
Spring Retained	Pin Retained				
42275	42274	Mild Steel	7/16 Hex	Gravity	114208-O
42273	42272	Mild Steel	7/16 Hex	Gravity	114135-GP
42281	42280	Mild Steel	7/16 Hex	1 Groove	
42286	42285	Mild Steel	7/16 Hex	2 Grooves	
43503	43504	Mild Steel	7/16 Hex	Gravity	114621-GP
43531	43530	Mild Steel	7/16 Hex	1 Groove	
43533	43532	Mild Steel	7/16 Hex	2 Grooves	
43513	43514	Mild Steel	7/16 Hex	40A18 Sprockets	
43515	43516	Mild Steel	7/16 Hex	50A15 Sprockets	

Roller Capacity Chart (lbs.)*












Between Frame (BF) Inches	Bearing Part Number		
	114208-O	114135-GP	114621-GP
6	500	500	681
12	496	496	616
18	395	395	396
24	285	285	285
30	217	217	216
36	170	170	167
42	134	134	128
48	104	104	96
54	79	79	67
60	56	56	41
63	45	45	29
66	34	34	N/A

*Larger Between Frames and higher capacities may be achieved with a center support puck.

*Roller Between Frame lengths available between values shown in the table.

*Roller Between Frames can be shorter than values shown utilizing pin retention.

Page 34

										
Unground	Unground Stainless Steel	Semi-Precision	Semi-Precision Stainless Steel	Precision	Precision Stainless Steel	Plastic	Seals	Shields	Ball Retainer (Cage)	Keeper Bar

Standard Part Numbering System
 Example: 27369 - 17
 Roller Part Number BF

2 in. O.D. x 7 Ga. Rollers

Roller Part Number		Tube Material	Axle	Drive Options	Bearing Part Number
Spring Retained	Pin Retained				
42276	N/A	Mild Steel	7/16 Hex	Gravity	114206-GP
42282	N/A	Mild Steel	7/16 Hex	1 Groove	
42287	N/A	Mild Steel	7/16 Hex	2 Grooves	
37821	37820	Mild Steel	11/16 Hex	40A18 Sprockets	102191-GP
37823	37822	Mild Steel	11/16 Hex	50A15 Sprockets	

Roller Capacity Chart (lbs.)*

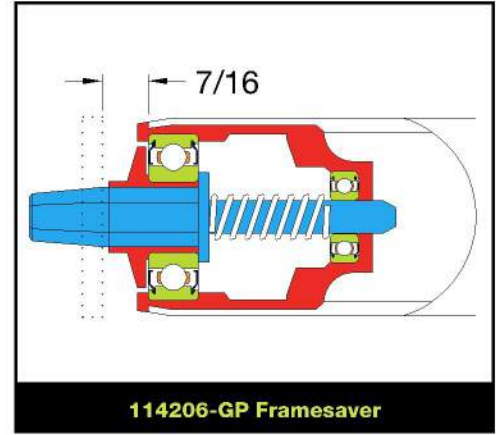
Between Frame (BF) Inches	Bearing Part Number	
	114206-GP	102191-GP
6	N/A	700
12	207	700
18	205	700
24	203	700
30	202	700
36	201	700
42	200	700
48	198	700
54	196	597
60	195	492
63	193	444
66	191	398
72	189	311
78	188	230
84	186	151
90	184	75

2 1/4 in. O.D. x 13 Ga. Rollers

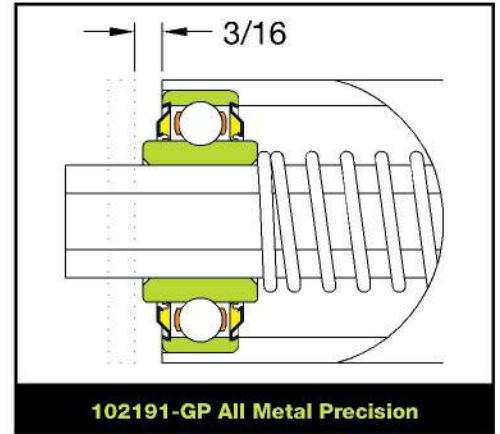
Roller Part Number		Tube Material	Axle	Drive Options	Bearing Part Number
Spring Retained	Pin Retained				
28519	28520	Mild Steel	5/16 Hex	Gravity	44832-O

Roller Capacity Chart (lbs.)*

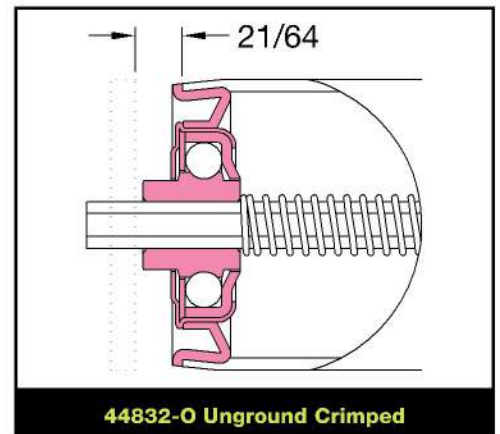
Between Frame (BF) Inches	Bearing Part Number
	44832-O
6	227
12	196
18	124
24	87
30	64
36	47
42	33
48	20



114206-GP Framesaver



102191-GP All Metal Precision



44832-O Unground Crimped

*The dimension above include 1/16" clearance between the extension on the bearing and the side frame at each end.

*Larger Between Frames and higher capacities may be achieved with a center support puck.

*Roller Between Frame lengths available between values shown in the table.

*Roller Between Frames can be shorter than values shown utilizing pin retention.

Standard Part Numbering System

Example: 27369 - 17

Roller Part Number BF



Unground



Unground Stainless Steel



Semi-Precision



Semi-Precision Stainless Steel



Precision



Precision Stainless Steel



Plastic



Seats



Shields



Ball Retainer (Cage)



Keeper Bar

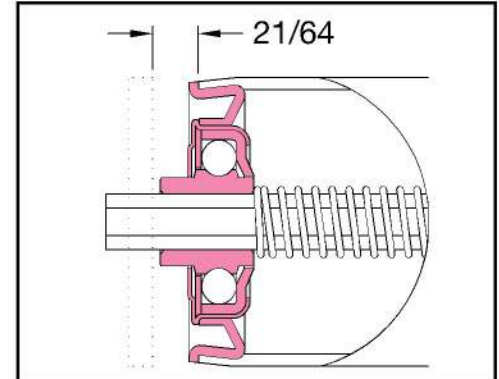
STRAIGHT ROLLERS

2 1/4 in. O.D. x 13 Ga. Rollers

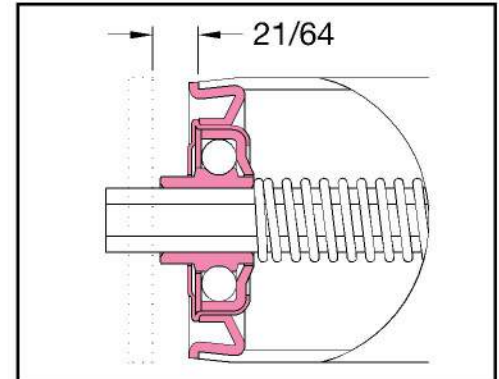
Roller Part Number		Tube Material	Axle	Drive Options	Bearing Part Number
Spring Retained	Pin Retained				
38181	28521	Mild Steel	3/8 Hex	Gravity	44834-O
11502	11498	Mild Steel	7/16 Hex	Gravity	102311
11517	11499	Mild Steel	7/16 Hex	Gravity	102312
43638	43637	Mild Steel	7/16 Hex	Gravity	114734-GP
37945	28512	Mild Steel	1/2 Dia.	Gravity	44836-O
43640	43639	Mild Steel	1/2 Dia.	Gravity	114735-GP

Roller Capacity Chart (lbs.)*

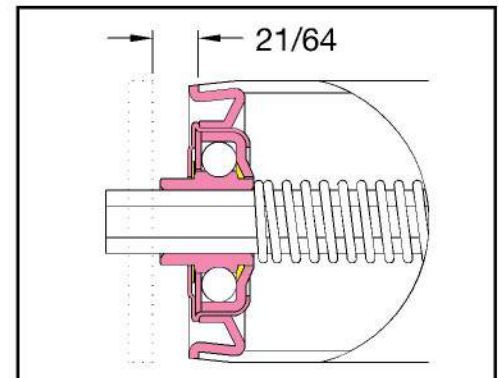
Between Frame (BF) Inches	Bearing Part Number				
	44834-O	102311 102312	114734-GP	44836-O	114735-GP
6	289	289	510	289	599
12	288	288	470	288	598
18	263	287	300	287	421
24	189	286	216	286	305
30	143	276	164	285	233
36	111	218	127	284	183
42	85	174	98	252	144
48	64	139	74	204	113
54	45	108	52	163	85
60	27	80	33	127	60
63	N/A	67	24	110	48
66	N/A	54	N/A	94	36
72	N/A	29	N/A	63	N/A
78	N/A	N/A	N/A	33	N/A



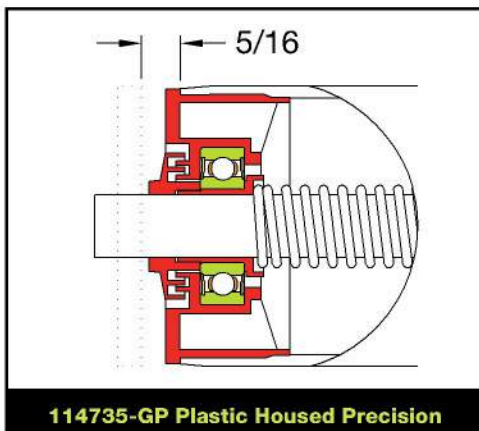
44834-O Uground Crimped



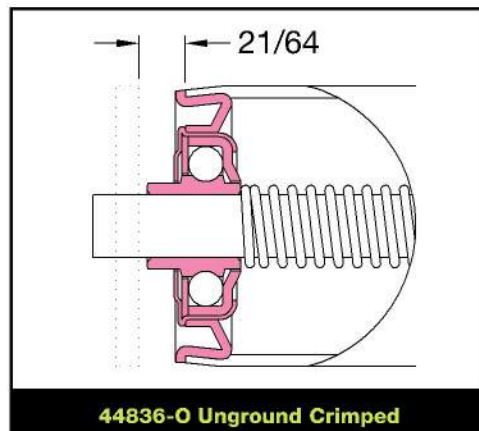
102311 Uground Crimped



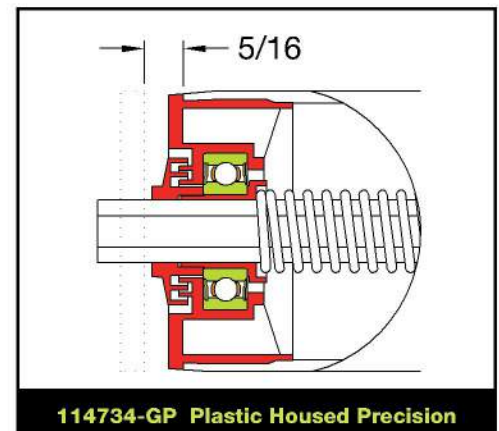
102312 Uground Crimped



114735-GP Plastic Housed Precision



44836-O Uground Crimped



114734-GP Plastic Housed Precision

*Larger Between Frames and higher capacities may be achieved with a center support puck.

*Roller Between Frame lengths available between values shown in the table.

*Roller Between Frames can be shorter than values shown utilizing pin retention.

*The dimension above include 1/16" clearance between the extension on the bearing and the side frame at each end.



Standard Part Numbering System

Example: 27369 - 17
 Roller Part Number BF

2 1/4 in. O.D. x 5/32 Wall Rollers

Roller Part Number		Tube Material	Axle	Drive Options	Bearing Part Number
Spring Retained	Pin Retained				
13731	13730	Mild Steel	5/8 Hex	Gravity	102047-O

Roller Capacity Chart (lbs.)*

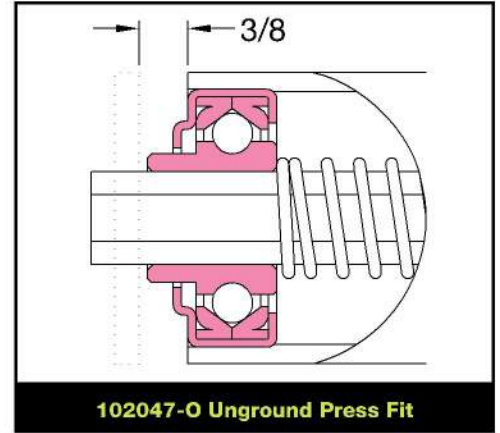
Between Frame (BF) Inches	Bearing Part Number	
		102047-O
12	447	
24	443	
36	440	
48	436	
60	350	
72	235	
84	135	
96	42	

2 1/2 in. O.D. x 14 Ga. Rollers

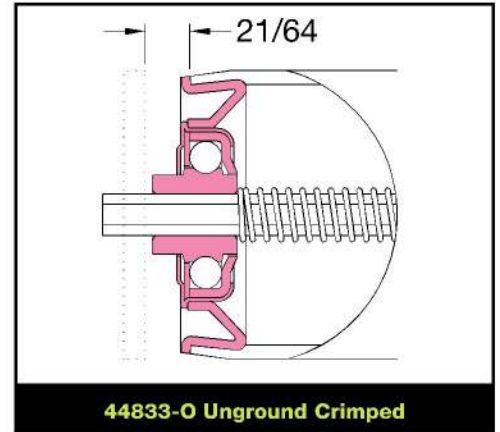
Roller Part Number		Tube Material	Axle	Drive Options	Bearing Part Number
Spring Retained	Pin Retained				
28522	28523	Mild Steel	5/16 Hex	Gravity	44833-O
36183	28524	Mild Steel	3/8 Hex	Gravity	44835-O
11519	11523	Mild Steel	7/16 Hex	Gravity	102309

Roller Capacity Chart (lbs.)*

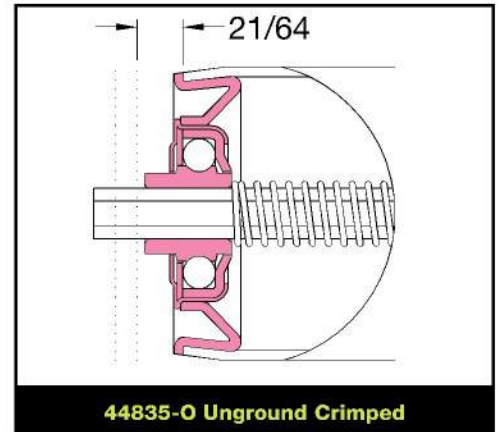
Between Frame (BF) Inches	Bearing Part Number		
	44833-O	44835-O	102309
6	227	289	289
12	196	288	288
18	124	263	287
24	87	189	286
30	64	143	276
36	47	111	218
42	33	85	175
48	21	64	139
54	N/A	45	108
60	N/A	27	80
66	N/A	N/A	54
72	N/A	N/A	30



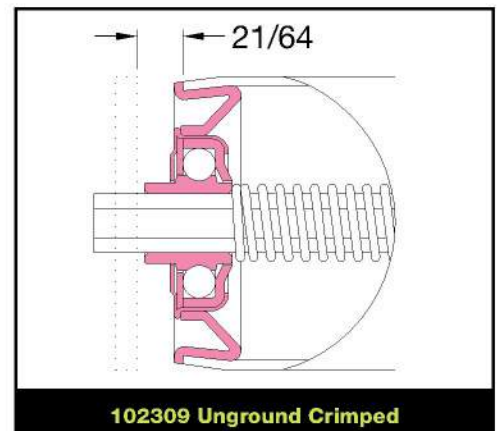
102047-O Unground Press Fit



44833-O Unground Crimped



44835-O Unground Crimped



102309 Unground Crimped

*The dimension above include 1/16" clearance between the extension on the bearing and the side frame at each end.

*Larger Between Frames and higher capacities may be achieved with a center support puck.

*Roller Between Frame lengths available between values shown in the table.

*Roller Between Frames can be shorter than values shown utilizing pin retention.

Standard Part Numbering System

Example: 27369 - 17
 Roller Part Number BF



Unground



Unground Stainless Steel



Semi-Precision



Semi-Precision Stainless Steel



Precision



Precision Stainless Steel



Plastic



Seats



Shields



Ball Retainer (Cage)



Keeper Bar

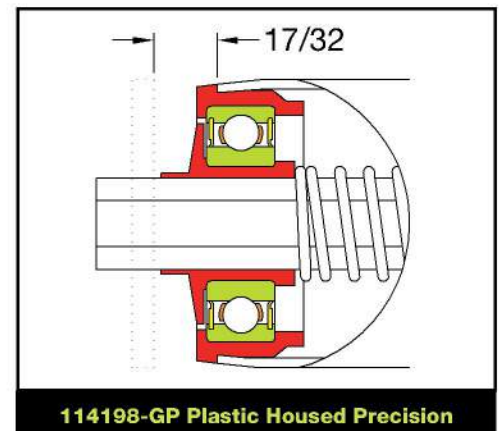
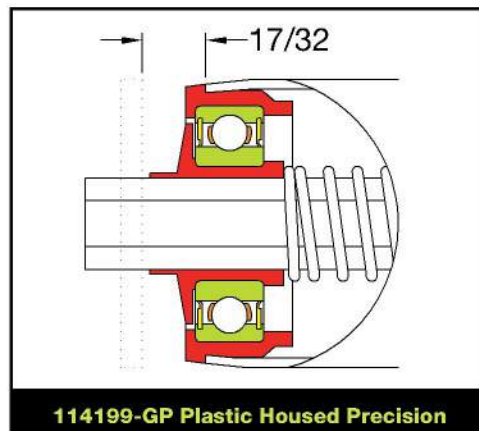
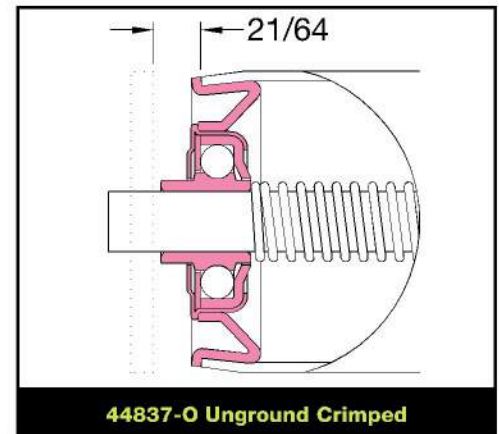
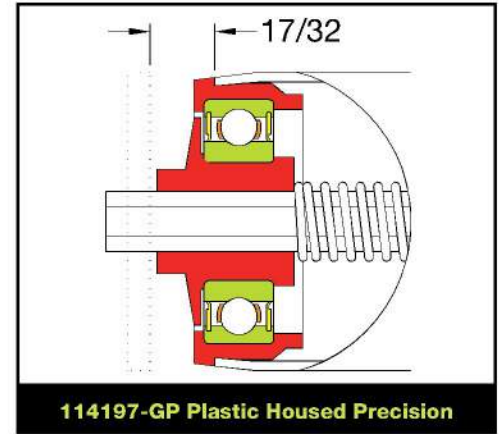
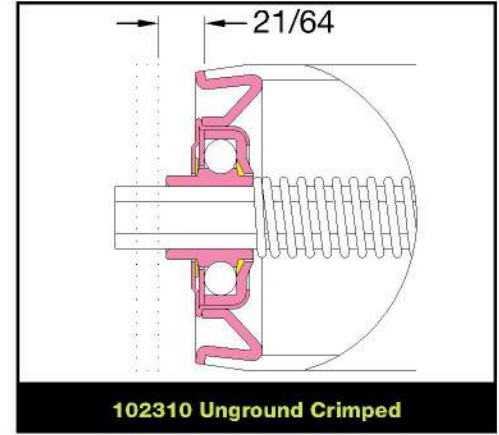
STRAIGHT ROLLERS

2 1/2 in. O.D. x 14 Ga. Rollers

Roller Part Number		Tube Material	Axle	Drive Options	Bearing Part Number
Spring Retained	Pin Retained				
11520	11524	Mild Steel	7/16 Hex	Gravity	102310
42336	42335	Mild Steel	7/16 Hex	Gravity	114197-GP
38180	28525	Mild Steel	1/2 Dia.	Gravity	44837-O
42332	42331	Mild Steel	5/8 Hex	Gravity	114198-GP
42328	42327	Mild Steel	11/16 Hex	Gravity	114199-GP

Roller Capacity Chart (lbs.)*

Between Frame (BF) Inches	Bearing Part Number				
	102310	114197-GP	44837-O	114198-GP	114199-GP
6	289	441	289	599	599
12	288	438	288	598	598
18	287	352	287	597	597
24	286	254	286	596	596
30	276	195	285	595	595
36	218	153	284	594	594
42	175	122	252	572	593
48	139	96	204	480	592
54	108	73	164	405	591
60	80	53	128	340	523
66	54	35	94	283	444
72	30	N/A	63	231	373
78	N/A	N/A	33	183	307
84	N/A	N/A	N/A	137	246
90	N/A	N/A	N/A	93	187
96	N/A	N/A	N/A	50	131
102	N/A	N/A	N/A	N/A	76



*Larger Between Frames and higher capacities may be achieved with a center support puck.

*Roller Between Frame lengths available between values shown in the table.

*Roller Between Frames can be shorter than values shown utilizing pin retention.

*The dimension above include 1/16" clearance between the extension on the bearing and the side frame at each end.

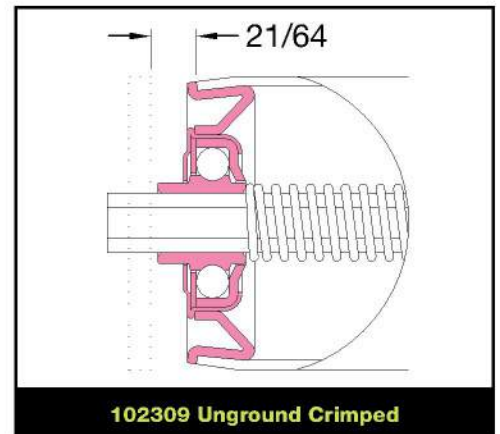
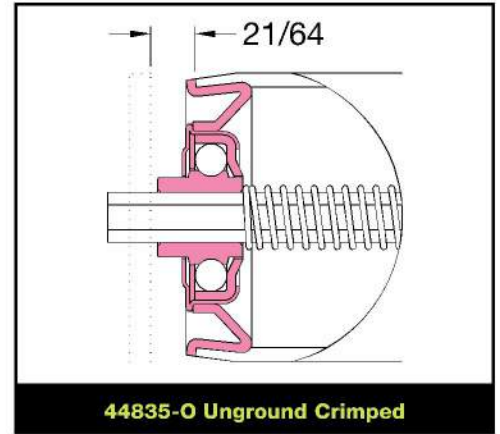
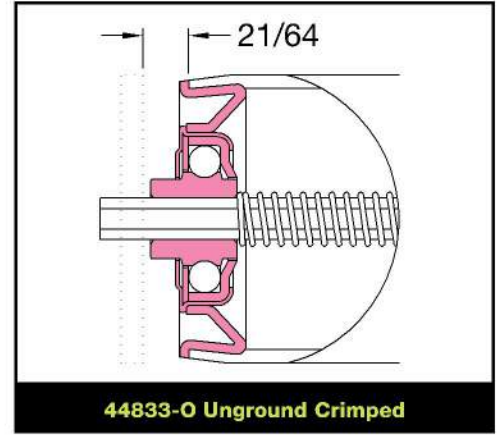


Standard Part Numbering System

Example: 27369 - 17
 Roller Part Number BF

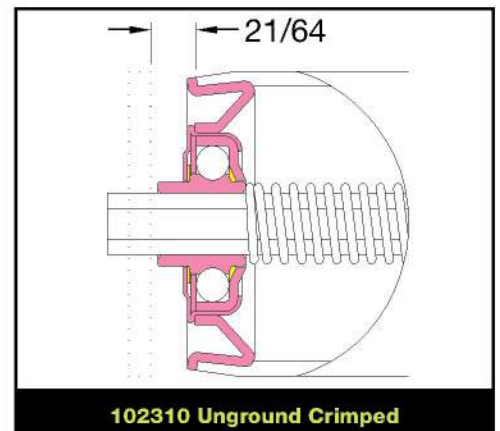
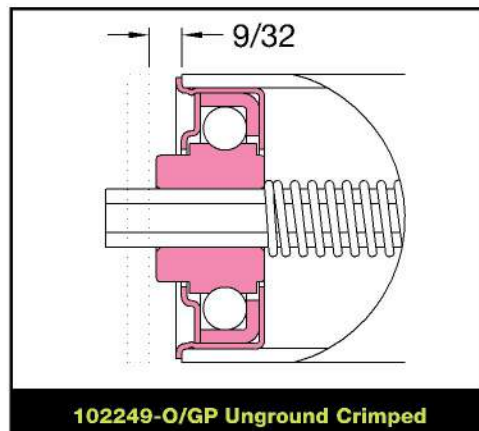
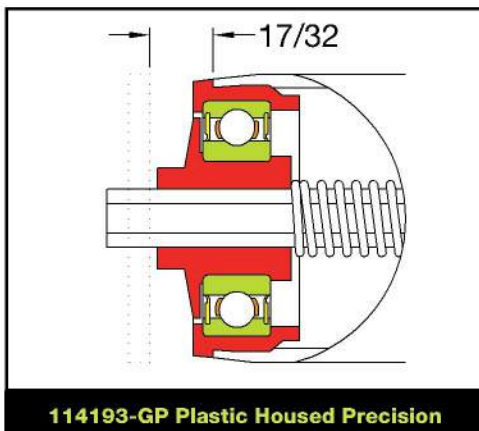
2 1/2 in. O.D. x 11 Ga. Rollers

Roller Part Number		Tube Material	Axle	Drive Options	Bearing Part Number
Spring Retained	Pin Retained				
28526	28527	Mild Steel	5/16 Hex	Gravity	44833-O
45025	Upon Request	10 ga. Galvanized	5/16 Hex	Gravity	
38182	28528	Mild Steel	3/8 Hex	Gravity	44835-O
45026	Upon Request	10 ga. Galvanized	3/8 Hex	Gravity	
11522	11525	Mild Steel	7/16 Hex	Gravity	102309
44989	44988	10 ga. Galvanized	7/16 Hex	Gravity	
11521	11526	Mild Steel	7/16 Hex	Gravity	102310
44991	44990	10 ga. Galvanized	7/16 Hex	Gravity	
40398	40399	Mild Steel	7/16 Hex	Gravity	102249-O
44993	44992	10 ga. Galvanized	7/16 Hex	Gravity	102249-GP
42304	42303	Mild Steel	7/16 Hex	Gravity	114193-GP
42322	42321	10 ga. Galvanized	7/16 Hex	Gravity	



Roller Capacity Chart (lbs.)*

Between Frame (BF) Inches	Bearing Part Number				
	44833-O	44835-O	102309 102310	102249-O 102249-GP	114193-GP
6	227	289	289	506	441
12	195	287	287	503	437
18	123	262	286	400	350
24	86	187	284	289	252
30	62	141	274	221	192
36	44	108	216	173	150
42	30	82	171	137	118
48	N/A	60	135	107	92
54	N/A	41	104	81	69
60	N/A	23	76	58	49
66	N/A	N/A	49	36	30
72	N/A	N/A	24	N/A	N/A



*Larger Between Frame and higher capacities may be achieved with a center support puck.

*Roller Between Frame lengths available between values shown in the table.

*Roller Between Frames can be shorter than values shown utilizing pin retention.

Standard Part Numbering System

Example: 27369 - 17

Roller Part Number BF



Unground



Unground
Stainless Steel



Semi-Precision



Semi-Precision
Stainless Steel



Precision



Precision
Stainless Steel



Plastic



Seats



Shields



Ball Retainer
(Cage)



Keeper
Bar

*The dimension above include 1/16" clearance between the extension on the bearing and the side frame at each end.

STRAIGHT ROLLERS

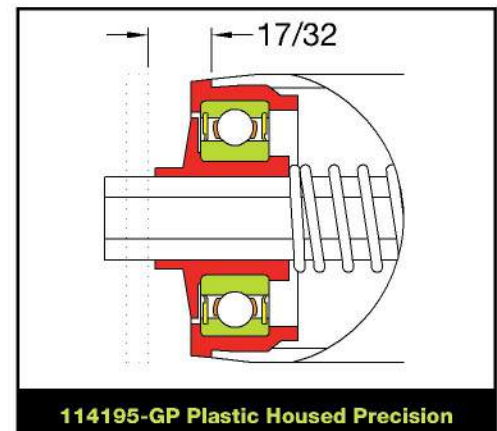
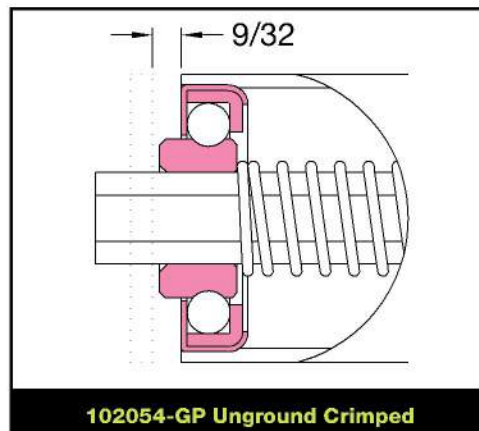
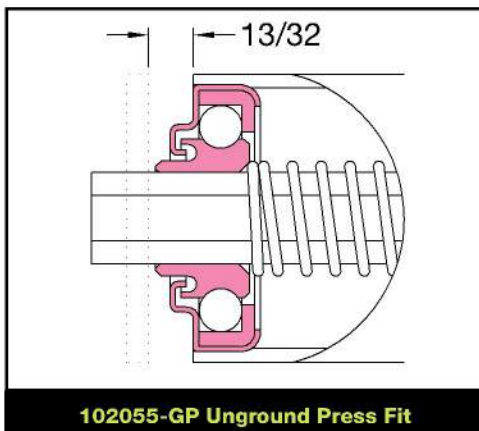
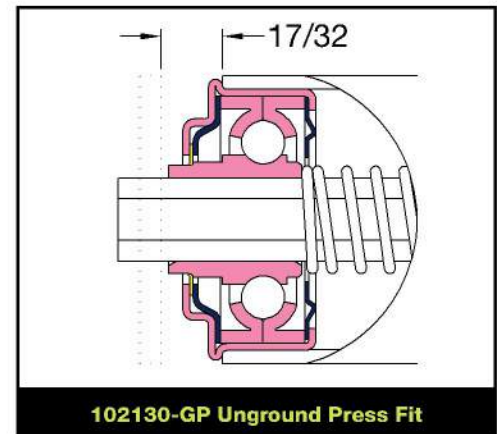
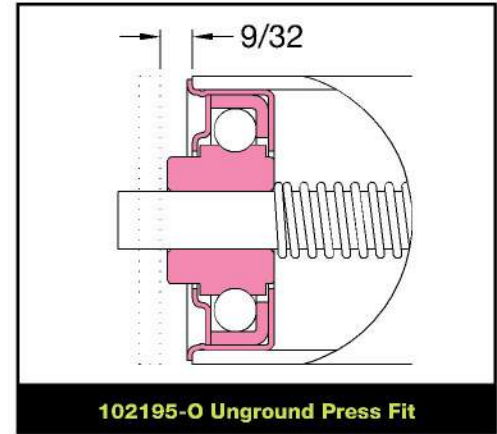
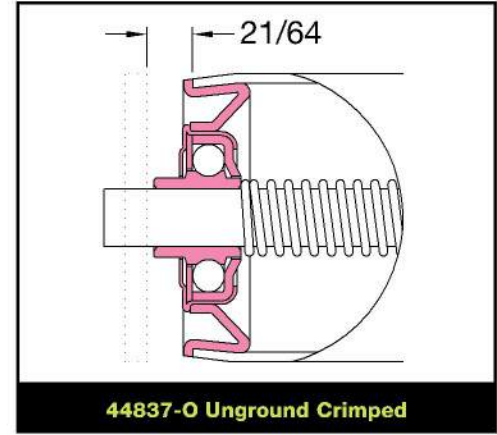
2 1/2 in. O.D. x 11 Ga. Rollers

Roller Part Number		Tube Material	Axle	Drive Options	Bearing Part Number
Spring Retained	Pin Retained				
37944	28530	Mild Steel	1/2 Dia.	Gravity	44837-O
45027	Upon Request	10 ga. Galvanized	1/2 Dia.	Gravity	
37943	28531	Mild Steel	1/2 Dia.	Gravity	102195-O
28532	26430	Mild Steel	5/8 Hex	Gravity	102130-GP
45028	Upon Request	10 ga. Galvanized	5/8 Hex	Gravity	
42298	42297	Mild Steel	5/8 Hex	Gravity	114195-GP
42316	42315	10 ga. Galvanized	5/8 Hex	Gravity	
11547	11581	Mild Steel	11/16 Hex	Gravity	102054-GP
40978	42465	10 ga. Galvanized	11/16 Hex	Gravity	
37365	37367	Mild Steel	11/16 Hex	1 Groove	
37366	37368	Mild Steel	11/16 Hex	2 Grooves	
11548	11582	Mild Steel	11/16 Hex	Gravity	

*Roller 11547 and 40978 stock options available.

Roller Capacity Chart (lbs.)*

Between Frame (BF) Inches	Bearing Part Number					
	44837-O	102195-O	102130-GP	114195-GP	102054-GP	102055-GP
6	289	700	700	599	649	649
12	287	700	700	597	647	647
18	286	560	700	596	646	646
24	284	407	700	594	644	644
30	283	313	700	593	642	643
36	281	249	589	591	641	641
42	249	200	486	569	639	640
48	201	160	407	477	638	638
54	160	127	341	401	636	636
60	123	97	285	336	635	626
66	89	69	235	278	633	531
72	58	43	190	226	579	445
78	27	N/A	148	177	477	366
84	N/A	N/A	108	130	383	292
90	N/A	N/A	70	86	292	222
96	N/A	N/A	32	42	205	153
102	N/A	N/A	N/A	N/A	119	87
108	N/A	N/A	N/A	N/A	35	N/A

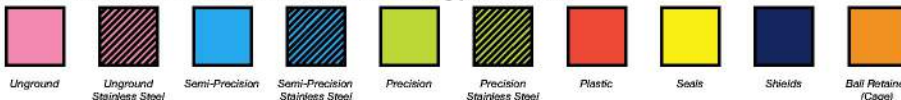


*Larger Between Frames and higher capacities may be achieved with a center support puck.

*Roller Between Frame lengths available between values shown in the table.

*Roller Between Frames can be shorter than values shown utilizing pin retention.

*The dimension above include 1/16" clearance between the extension on the bearing and the side frame at each end.



Standard Part Numbering System

Example: 27369 - 17
 Roller Part Number BF

2 1/2 in. O.D. x 11 Ga. Rollers

Roller Part Number		Tube Material	Axle	Drive Options	Bearing Part Number
Spring Retained	Pin Retained				
Upon Request	11583	Mild Steel	11/16 Hex (RG)	Gravity	102056-GP
15678	15677	Mild Steel	11/16 Hex	Gravity	102041-GP
37361	37363	Mild Steel	11/16 Hex	1 Groove	
37362	37364	Mild Steel	11/16 Hex	2 Grooves	
45123	45122	Mild Steel	11/16 Hex	40A20 Sprockets	
43626	43625	Mild Steel	11/16 Hex	40A21 Sprockets	
38735	38734	Mild Steel	11/16 Hex	40A22 Sprockets	
37614	27285	Mild Steel	11/16 Hex	50A17 Sprockets	
37615	27284	Mild Steel	11/16 Hex	60A15 Sprockets	
42464	42463	10 ga. Galvanized	11/16 Hex	Gravity	
44924	44923	10 ga. Galvanized	11/16 Hex	40A21 Sprockets	
44926	44925	10 ga. Galvanized	11/16 Hex	40A22 Sprockets	
44928	44927	10 ga. Galvanized	11/16 Hex	50A17 Sprockets	
44930	44929	10 ga. Galvanized	11/16 Hex	60A15 Sprockets	
42027	21331	Mild Steel	11/16 Hex (RG)	Gravity	
23417	23418	Mild Steel	11/16 Hex	Gravity	102139-GP
45125	45124	Mild Steel	11/16 Hex	40A20 Sprockets	
43628	43627	Mild Steel	11/16 Hex	40A21 Sprockets	
42058	42057	Mild Steel	11/16 Hex	40A22 Sprockets	
37617	29131	Mild Steel	11/16 Hex	50A17 Sprockets	
37616	29130	Mild Steel	11/16 Hex	60A15 Sprockets	

*Roller 15678 stock options available.

Roller Capacity Chart (lbs.)*

Between Frame (BF) Inches	Bearing Part Number			
	102056-GP	102041-GP	102229-GP	102139-GP
6	649	700	700	700
12	647	700	700	700
18	646	700	700	700
24	644	700	700	700
30	643	700	700	700
36	641	700	700	700
42	640	700	700	700
48	638	612	612	700
54	636	520	520	700
60	626	441	441	593
66	531	373	373	489
72	445	311	311	394
78	366	255	255	305
84	292	201	201	220
90	22	151	151	137
96	153	102	102	56
102	87	54	54	N/A

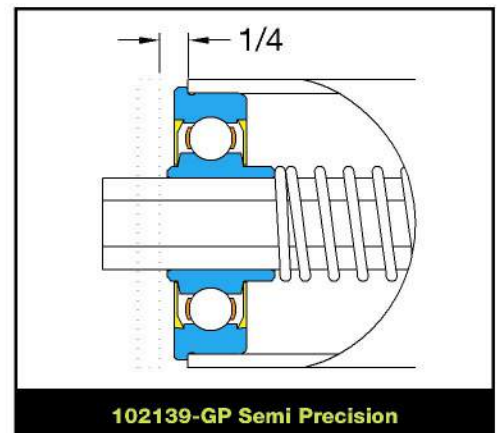
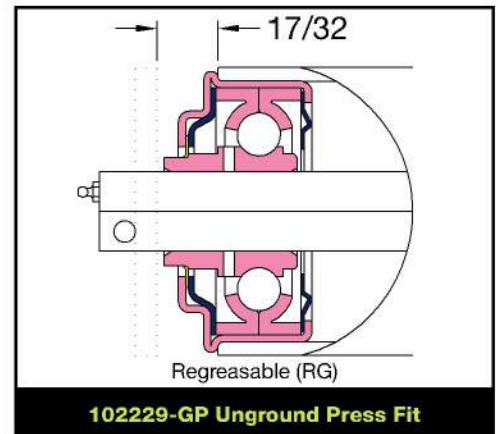
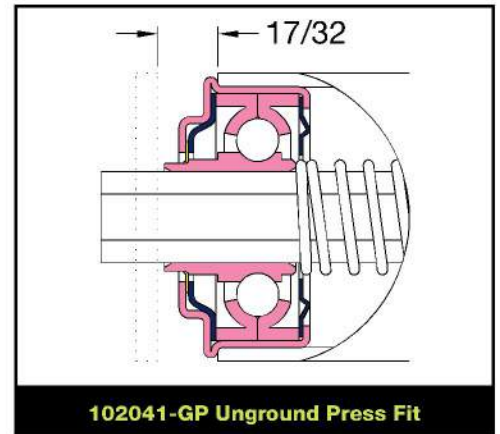
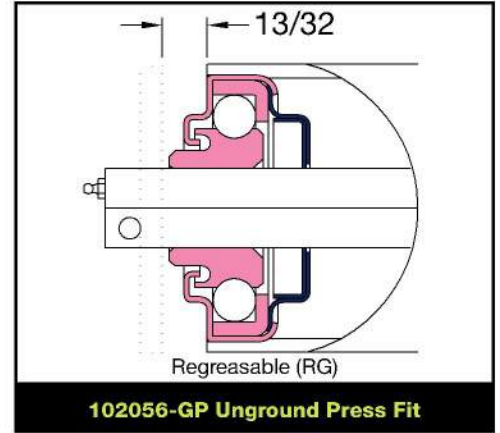
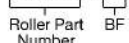
*Larger Between Frames and higher capacities may be achieved with a center support puck.

*Roller Between Frame lengths available between values shown in the table.

*Roller Between Frames can be shorter than values shown utilizing pin retention.

Standard Part Numbering System

Example: 27369 - 17

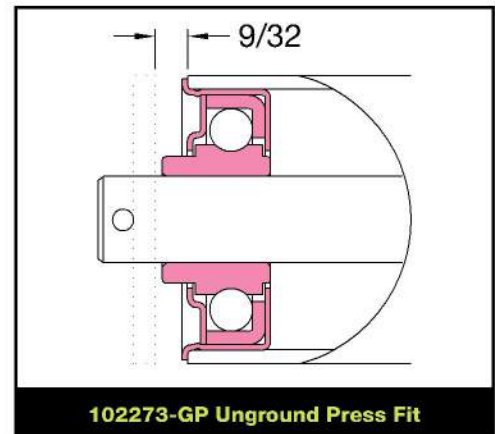
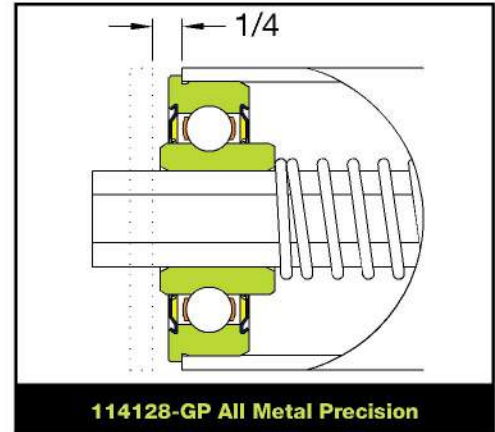
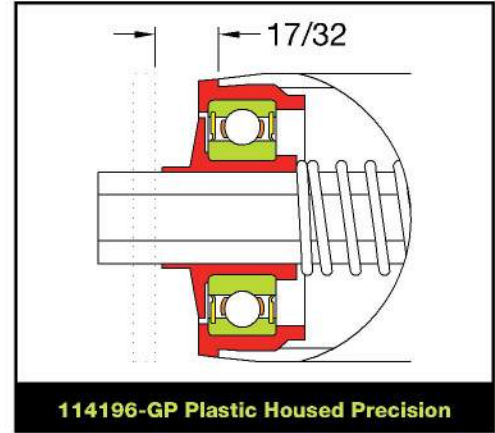


*The dimension above include 1/16" clearance between the extension on the bearing and the side frame at each end.

STRAIGHT ROLLERS

2 1/2 in. O.D. x 11 Ga. Rollers

Roller Part Number		Tube Material	Axle	Drive Options	Bearing Part Number
Spring Retained	Pin Retained				
42294	42293	Mild Steel	11/16 Hex	Gravity	114196-GP
42556	42557	Mild Steel	11/16 Hex	1 Groove	
42558	42559	Mild Steel	11/16 Hex	2 Grooves	
42310	42309	10 ga. Galvanized	11/16 Hex	Gravity	114128-GP
42050	42049	Mild Steel	11/16 Hex	Gravity	
42641	42642	Mild Steel	11/16 Hex	1 Groove	
42643	42644	Mild Steel	11/16 Hex	2 Grooves	
45127	45126	Mild Steel	11/16 Hex	40A20 Sprockets	
43370	43369	Mild Steel	11/16 Hex	40A21 Sprockets	
42038	42037	Mild Steel	11/16 Hex	40A22 Sprockets	
42040	42039	Mild Steel	11/16 Hex	50A17 Sprockets	
42042	42041	Mild Steel	11/16 Hex	60A15 Sprockets	
44932	44931	10 ga. Galvanized	11/16 Hex	40A21 Sprockets	
44934	44933	10 ga. Galvanized	11/16 Hex	40A22 Sprockets	
44936	44935	10 ga. Galvanized	11/16 Hex	50A17 Sprockets	
44938	44938	10 ga. Galvanized	11/16 Hex	60A15 Sprockets	
Upon Request	29931	Mild Steel	3/4 Dia.	Gravity	102273-GP
Upon Request	45029	10 ga. Galvanized	3/4 Dia.	Gravity	



*The dimension above include 1/16" clearance between the extension on the bearing and the side frame at each end.

Roller Capacity Chart (lbs.)*

Between Frame (BF) Inches	Bearing Part Number		
	114196-GP	114128-GP	102273-GP
6	599	700	700
12	597	700	700
18	596	700	700
24	594	700	700
30	593	700	700
36	591	700	700
42	590	700	700
48	588	700	700
54	587	700	700
60	518	593	700
66	439	489	599
72	367	394	506
78	301	305	421
84	239	220	342
90	180	137	267
96	123	56	194
102	68	N/A	124
108	N/A	N/A	54

*Larger Between Frames and higher capacities may be achieved with a center support puck.

*Roller Between Frame lengths available between values shown in the table.

*Roller Between Frames can be shorter than values shown utilizing pin retention.



Standard Part Numbering System

Example: 27369 - 17
 Roller Part Number BF

2 1/2 in. O.D. x 11 Ga. Rollers

Roller Part Number		Tube Material	Axle	Drive Options	Bearing Part Number
Spring Retained	Pin Retained				
N/A	28533	Mild Steel	3/4 Dia. (RG)	Gravity	102194-GP
42077	29935	Mild Steel	3/4 Hex	Gravity	102268-GP

Roller Capacity Chart (lbs.)*

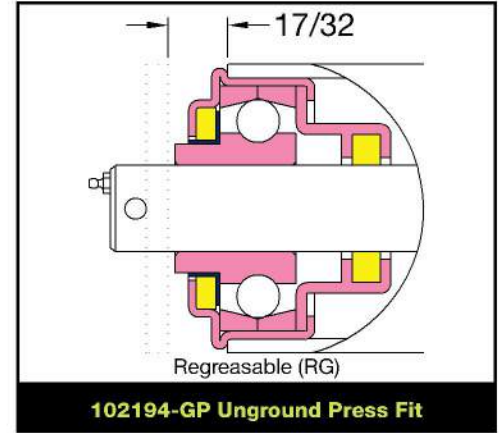
Between Frame (BF) Inches	Bearing Part Number		Between Frame (BF) Inches	Bearing Part Number	
	102194-GP	102268-GP		102194-GP	102268-GP
6	609	700	66	501	700
12	607	700	72	423	684
18	606	700	78	351	493
24	604	700	84	284	420
30	603	700	90	220	361
36	601	700	96	159	278
42	600	700	102	99	196
48	598	700	108	41	116
54	597	700	112	N/A	52
60	588	700			

2 9/16 in. O.D. x 7 Ga. Rollers

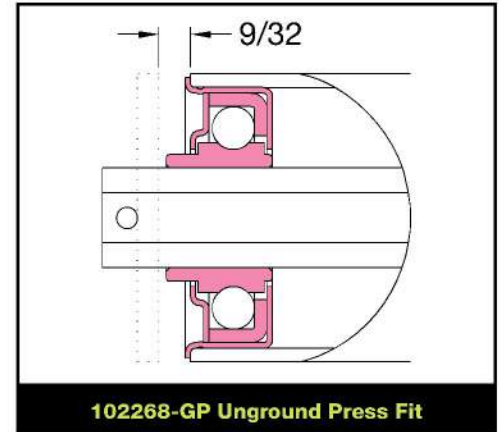
Roller Part Number		Tube Material	Axle	Drive Options	Bearing Part Number
Spring Retained	Pin Retained				
37942	29936	Mild Steel	1/2 Dia.	Gravity	102195-O
11436	11433	Mild Steel	11/16 Hex	Gravity	102054-GP

Roller Capacity Chart (lbs.)*

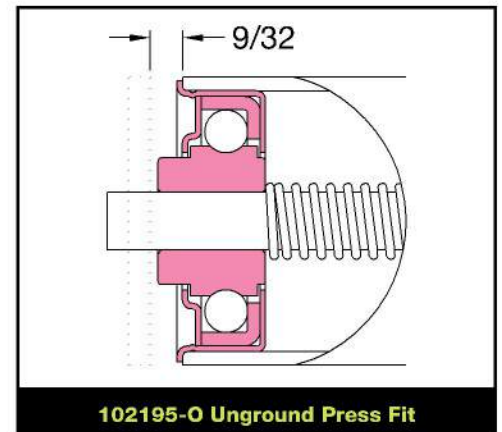
Between Frame (BF) Inches	Bearing Part Number	
	102195-O	102054-GP
6	713	648
12	708	646
18	558	643
24	404	641
30	310	639
36	244	636
42	195	634
48	154	632
54	120	630
60	89	627
66	61	625
72	34	569
78	N/A	468
84	N/A	372
90	N/A	281
96	N/A	192
102	N/A	106



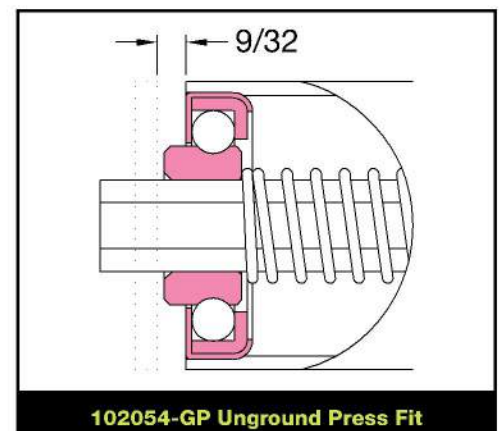
102194-GP Unground Press Fit



102268-GP Unground Press Fit



102195-O Unground Press Fit



102054-GP Unground Press Fit

*The dimension above include 1/16" clearance between the extension on the bearing and the side frame at each end.

*Larger Between Frames and higher capacities may be achieved with a center support puck.

*Roller Between Frame lengths available between values shown in the table.

*Roller Between Frames can be shorter than values shown utilizing pin retention.

Standard Part Numbering System

Example: 27369 - 17
 Roller Part Number BF



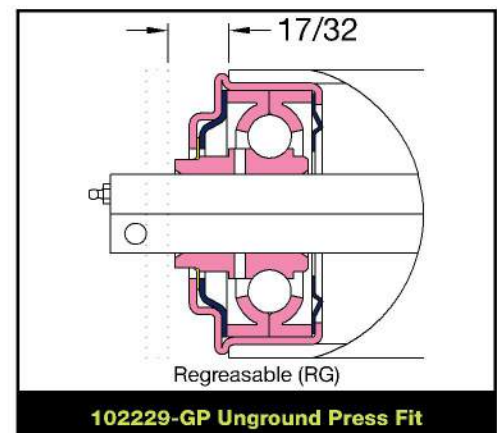
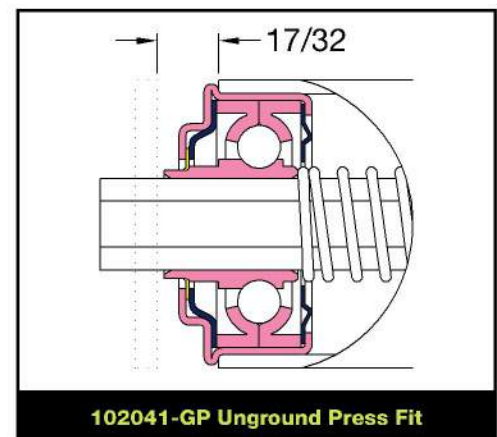
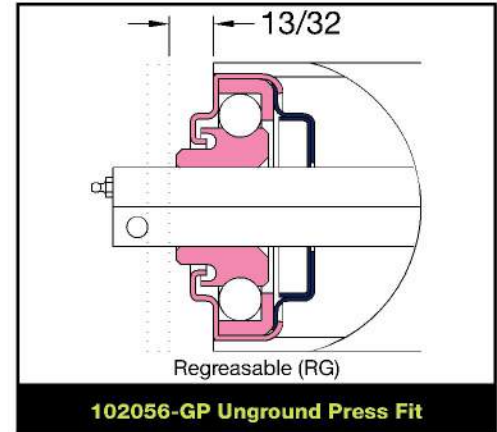
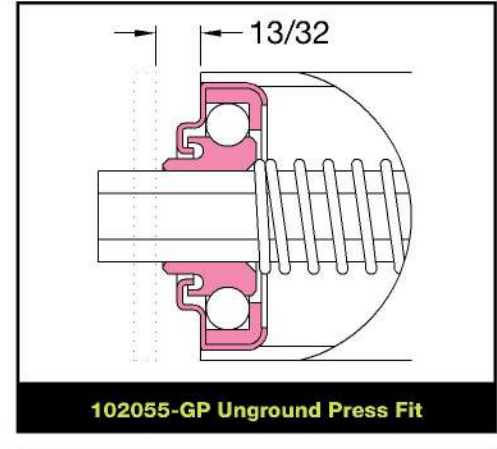
STRAIGHT ROLLERS

2 9/16 in. O.D. x 7 Ga. Rollers

Roller Part Number		Tube Material	Axle	Drive Options	Bearing Part Number
Spring Retained	Pin Retained				
11435	11434	Mild Steel	11/16 Hex	Gravity	102055-GP
Upon Request	11444	Mild Steel	11/16 Hex (RG)	Gravity	102056-GP
13597	13596	Mild Steel	11/16 Hex	Gravity	102041-GP
44909	45012	Mild Steel	11/16 Hex	40A21 Sprockets	
38737	38736	Mild Steel	11/16 Hex	40A22 Sprockets	
37619	27287	Mild Steel	11/16 Hex	50A18 Sprockets	
37618	27286	Mild Steel	11/16 Hex	60A15 Sprockets	
Upon Request	28537	Mild Steel	11/16 Hex (RG)	Gravity	102229-GP

Roller Capacity Chart (lbs.)*

Between Frame (BF) Inches	Bearing Part Number			
	102055-GP	102056-GP	102041-GP	102229-GP
6	648	648	848	848
12	646	646	846	846
18	643	643	844	844
24	641	641	841	841
30	639	639	839	839
36	637	637	837	837
42	634	634	721	721
48	632	632	606	606
54	630	630	513	513
60	619	619	434	434
66	523	523	365	365
72	436	436	302	302
78	357	357	245	245
84	282	282	191	191
90	210	210	139	139
96	141	141	89	89
102	74	74	41	41



*The dimension above include 1/16" clearance between the extension on the bearing and the side frame at each end.

*Larger Between Frames and higher capacities may be achieved with a center support puck.

*Roller Between Frame lengths available between values shown in the table.

*Roller Between Frames can be shorter than values shown utilizing pin retention.

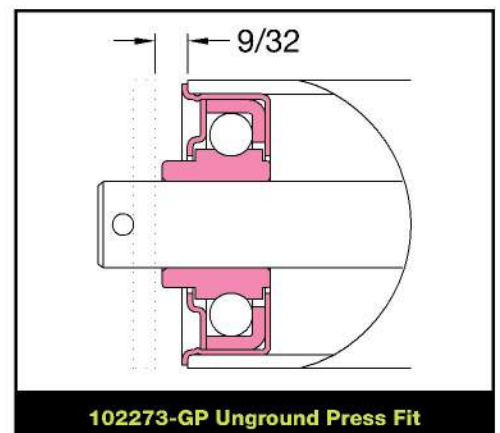
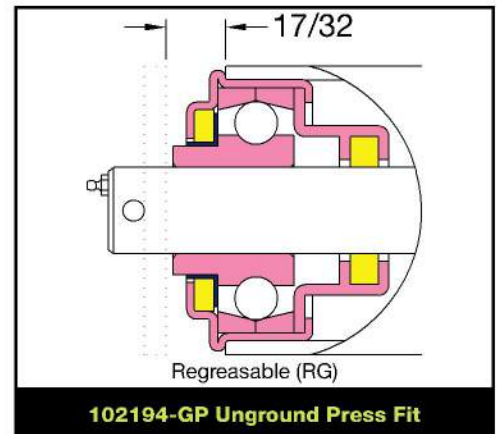
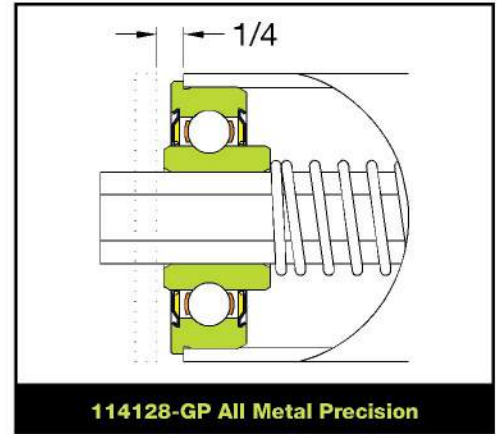
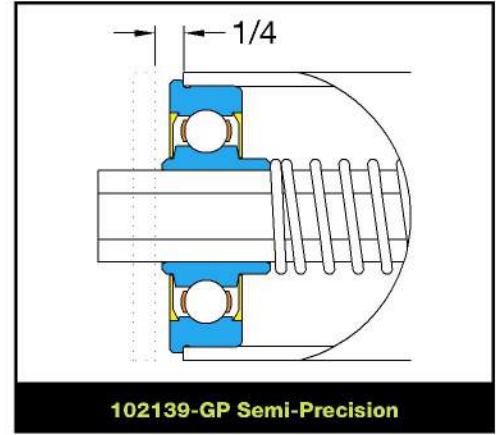


Standard Part Numbering System

Example: 27369 - 17
 Roller Part Number BF

2 9/16 in. O.D. x 7 Ga. Rollers

Roller Part Number		Tube Material	Axle	Drive Options	Bearing Part Number
Spring Retained	Pin Retained				
23419	23420	Mild Steel	11/16 Hex	Gravity	102139-GP
42060	42059	Mild Steel	11/16 Hex	40A22 Sprockets	
38728	38730	Mild Steel	11/16 Hex	50A18 Sprockets	
38729	38731	Mild Steel	11/16 Hex	60A15 Sprockets	
42052	42051	Mild Steel	11/16 Hex	Gravity	114128-GP
43374	43373	Mild Steel	11/16 Hex	40A21 Sprockets	
42044	42043	Mild Steel	11/16 Hex	40A22 Sprockets	
42046	42045	Mild Steel	11/16 Hex	50A18 Sprockets	
42048	42047	Mild Steel	11/16 Hex	60A15 Sprockets	
N/A	28538	Mild Steel	3/4 Dia. (RG)	Gravity	102194-GP
Upon Request	29937	Mild Steel	3/4 Dia.	Gravity	102273-GP



Roller Capacity Chart (lbs.)*

Between Frame (BF) Inches	Bearing Part Number			
	102139-GP	114128-GP	102194-GP	102273-GP
6	2224	2600	608	848
12	2222	2790	606	846
18	2219	2596	604	843
24	1910	1910	601	841
30	1496	1496	599	839
36	1214	1214	597	836
42	1005	1005	594	834
48	840	840	592	832
54	703	703	590	813
60	586	586	580	694
66	481	481	492	590
72	385	385	413	497
78	295	295	341	412
84	209	209	273	332
90	126	126	209	256
96	44	44	147	182
102	N/A	N/A	87	111

*Larger Between Frames and higher capacities may be achieved with a center support puck.

*Roller Between Frame lengths available between values shown in the table.

*Roller Between Frames can be shorter than values shown utilizing pin retention.

Standard Part Numbering System

Example: 27369 - 17

Roller Part Number BF



Unground



Unground Stainless Steel



Semi-Precision



Semi-Precision Stainless Steel



Precision



Precision Stainless Steel



Plastic



Seats



Shields



Ball Retainer (Cage)



Keeper Bar

*The dimension above include 1/16" clearance between the extension on the bearing and the side frame at each end.

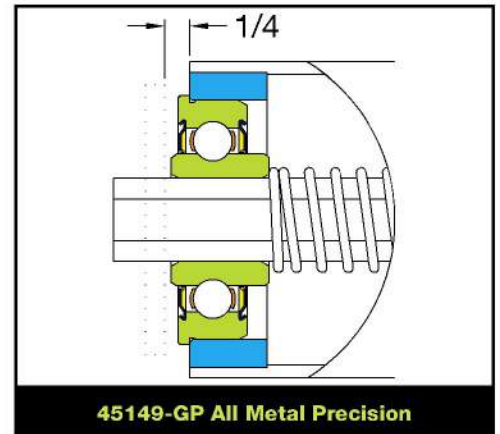
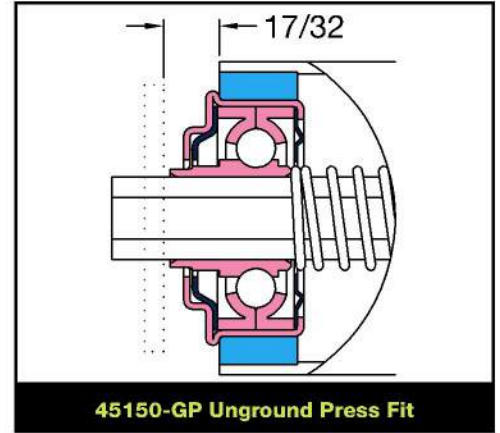
STRAIGHT ROLLERS

3 in. O.D. x 11 Ga. Rollers

Roller Part Number		Tube Material	Axle	Drive Options	Bearing Part Number
Spring Retained	Pin Retained				
45258	45259	Mild Steel	11/16 Hex	Gravity	45150-GP
45256	45257	Mild Steel	11/16 Hex	Gravity	45149-GP

Roller Capacity Chart (lbs.)*

Between Frame (BF) Inches	Bearing Part Number	
	45150-GP	45149-GP
6	848	2799
12	847	2790
18	845	2596
24	843	1911
30	841	1498
36	839	1216
42	723	1007
48	609	843
54	516	707
60	438	590
66	369	486
72	307	390
78	250	301
84	197	216
90	146	133
96	96	52
102	48	N/A



*The dimension above include 1/16" clearance between the extension on the bearing and the side frame at each end.

*Larger Between Frames and higher capacities may be achieved with a center support puck.

*Roller Between Frame lengths available between values shown in the table.

*Roller Between Frames can be shorter than values shown utilizing pin retention.



Standard Part Numbering System

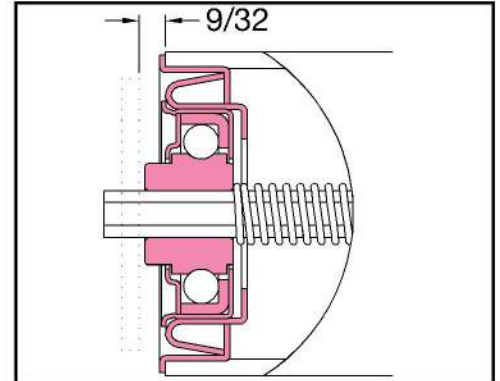
Example: 27369 - 17
 Roller Part Number BF

3 1/2 in. O.D. x 7 Ga. Rollers

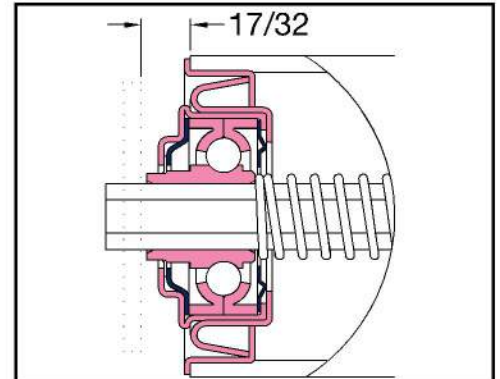
Roller Part Number		Tube Material	Axle	Drive Options	Bearing Part Number
Spring Retained	Pin Retained				
45262	45263	Mild Steel	7/16 Hex	Gravity	45173-GP
28540	28541	Mild Steel	5/8 Hex	Gravity	45207-GP
13948	13947	Mild Steel	11/16 Hex	Gravity	31439
44882	44883	Mild Steel	11/16 Hex	Gravity	44881-GP
Upon Request	40810	Mild Steel	11/16 Hex	Gravity	45208-GP
Upon Request	45260	Mild Steel	3/4 Dia.	Gravity	45171-GP

Roller Capacity Chart (lbs.)*

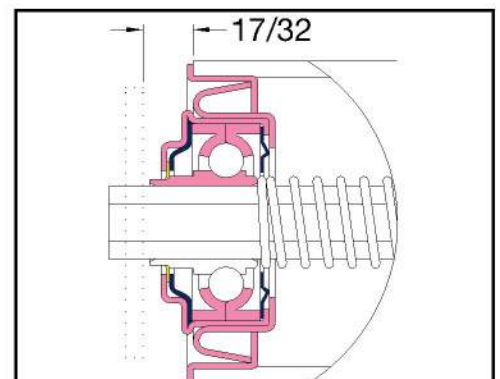
Between Frame (BF) Inches	Bearing Part Number				
	45173-GP	45207-GP	31439 45208-GP	44881-GP	45171-GP
6	504	847	847	1997	847
12	499	844	844	1994	844
18	394	841	841	1991	841
24	282	838	838	1906	838
30	212	719	835	1491	834
36	163	578	831	1208	831
42	125	474	714	998	828
48	93	393	599	832	825
54	66	326	504	695	804
60	41	268	424	576	684
66	N/A	217	354	470	580
72	N/A	170	291	373	485
78	N/A	126	232	282	399
84	N/A	84	177	196	318
90	N/A	44	125	111	241
96	N/A	N/A	74	N/A	167
102	N/A	N/A	N/A	N/A	95
108	N/A	N/A	N/A	N/A	N/A
114	N/A	N/A	N/A	N/A	N/A
120	N/A	N/A	N/A	N/A	N/A
126	N/A	N/A	N/A	N/A	N/A
132	N/A	N/A	N/A	N/A	N/A
138	N/A	N/A	N/A	N/A	N/A
144	N/A	N/A	N/A	N/A	N/A



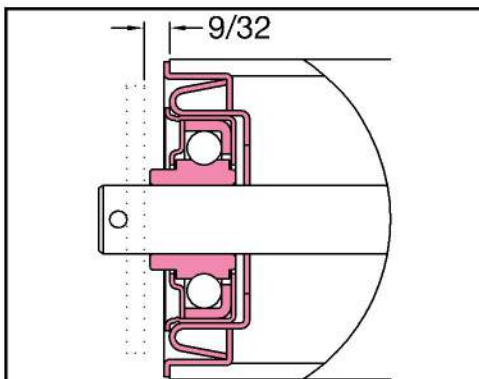
45173-GP Unground Press Fit



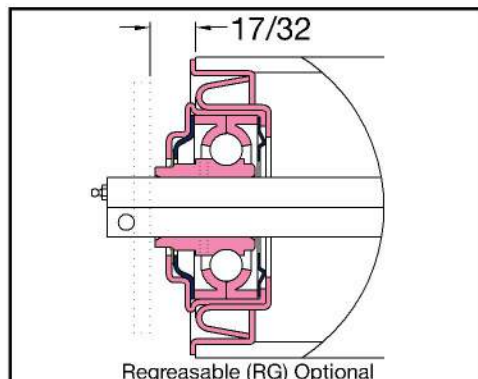
45207-GP Unground Press Fit



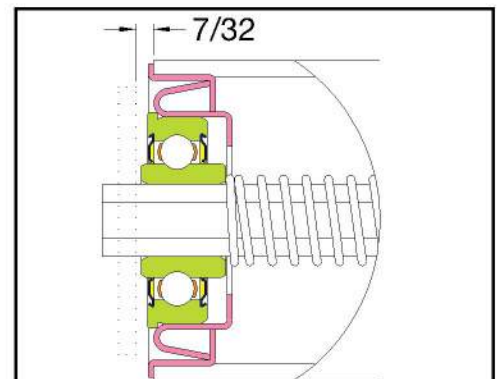
31439 Unground Press Fit



45171-GP Unground Press Fit



45208-GP Unground Press Fit



44881-GP All Metal Precision

*Larger Between Frames and higher capacities may be achieved with a center support puck.

*Roller Between Frame lengths available between values shown in the table.

*Roller Between Frames can be shorter than values shown utilizing pin retention.

Standard Part Numbering System

Example: 27369 - 17

Roller Part Number BF



Unground



Unground
Stainless Steel



Semi-Precision



Semi-Precision
Stainless Steel



Precision



Precision
Stainless Steel



Plastic



Seats



Shields



Ball Retainer
(Cage)



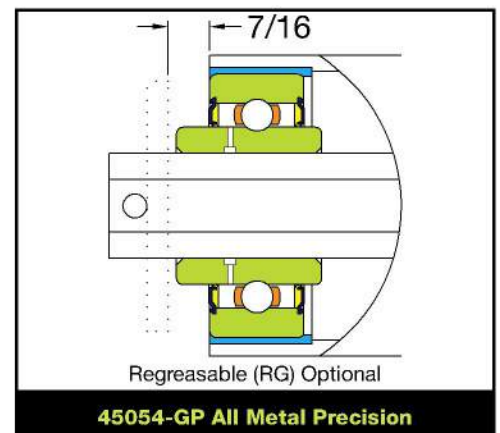
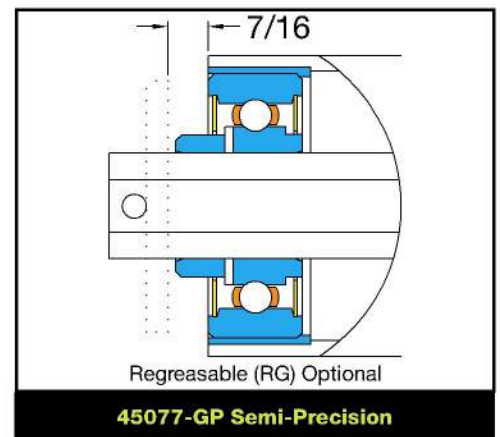
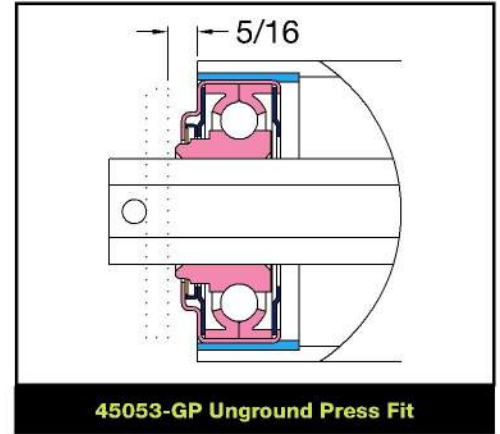
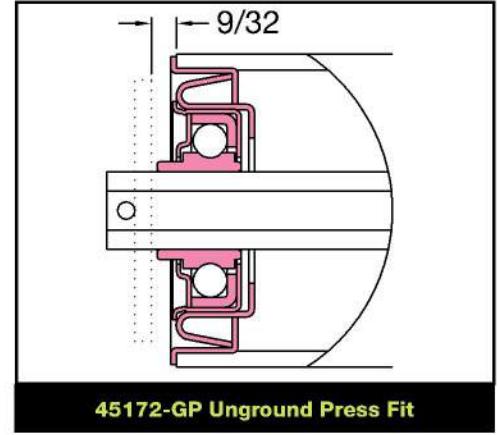
Keeper Bar

*The dimension above include 1/16" clearance between the extension on the bearing and the side frame at each end.

STRAIGHT ROLLERS

3 1/2 in. O.D. x 7 Ga. Rollers

Roller Part Number		Tube Material	Axle	Drive Options	Bearing Part Number
Spring Retained	Pin Retained				
Upon Request	45261	Mild Steel	3/4 Hex	Gravity	45172-GP
N/A	45055	Mild Steel	1-1/16 Hex	Gravity	45053-GP
N/A	45056	Mild Steel	1-1/16 Hex	60A20 Sprockets	
N/A	45057	Mild Steel	1-1/16 Hex	80A16 Sprockets	
N/A	45076	Mild Steel	1-1/16 Hex	Gravity	45077-GP
N/A	45075	Mild Steel	1-1/16 Hex	60A20 Sprockets	
N/A	45074	Mild Steel	1-1/16 Hex	80A16 Sprockets	
N/A	45059	Mild Steel	1-1/16 Hex	Gravity	45054-GP
N/A	45060	Mild Steel	1-1/16 Hex	60A20 Sprockets	
N/A	45061	Mild Steel	1-1/16 Hex	80A16 Sprockets	



Roller Capacity Chart (lbs.)*

Between Frame (BF) Inches	Bearing Part Number			
	45172-GP	45053-GP	45077-GP	45054-GP
6	847	1203	4127	4792
12	844	1200	4124	4781
18	841	1197	4121	4764
24	838	1194	4118	4743
30	834	1190	4114	4135
36	831	1187	3418	3385
42	828	1184	2875	2847
48	825	1181	2462	2438
54	822	1178	2132	2111
60	818	1174	1860	1842
66	735	1171	1629	1612
72	624	1168	1427	1412
78	522	1165	1246	1233
84	428	1162	1081	1070
90	338	1158	929	919
96	252	1155	786	778
102	169	1152	650	643
108	88	1027	519	513
114	N/A	912	392	388
120	N/A	771	268	265
126	N/A	600	146	144
132	N/A	432	N/A	N/A
138	N/A	267	N/A	N/A
144	N/A	104	N/A	N/A

*Larger Between Frames and higher capacities may be achieved with a center support puck.

*Roller Between Frame lengths available between values shown in the table.

*Roller Between Frames can be shorter than values shown utilizing pin retention.

*The dimension above include 1/16" clearance between the extension on the bearing and the side frame at each end.

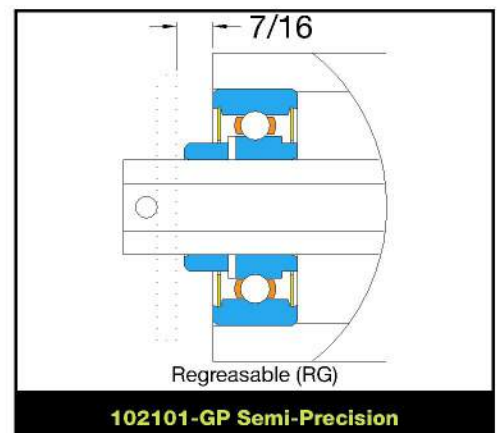
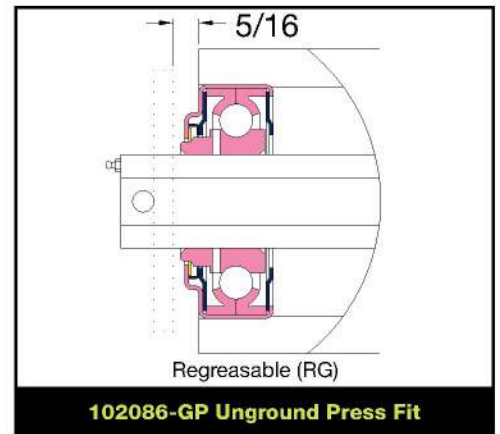
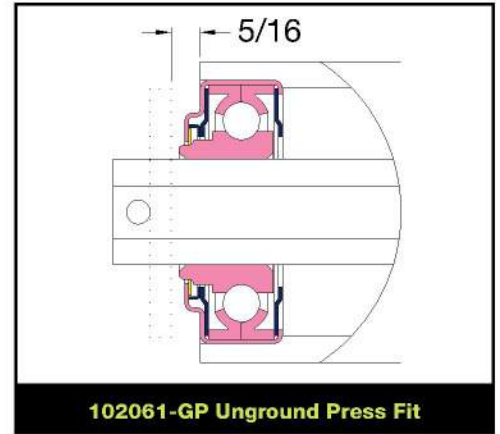
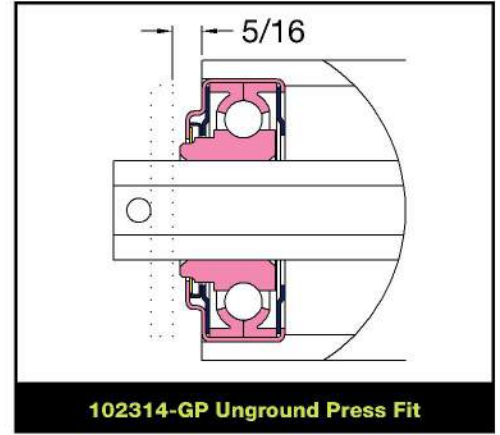


Standard Part Numbering System

Example: 27369 - 17
 Roller Part Number BF

3 1/2 in. O.D. x .300 Wall Rollers

Roller Part Number		Tube Material	Axle	Drive Options	Bearing Part Number
D-End Retained	Pin Retained				
N/A	31444	Mild Steel	1 Hex	Gravity	102314-GP
N/A	11530	Mild Steel	1-1/16 Hex	Gravity	102061-GP
N/A	31285	Mild Steel	1-1/16 Hex	60A20 Sprockets	
N/A	38740	Mild Steel	1-1/16 Hex	80A16 Sprockets	102086-GP
N/A	22683	Mild Steel	1-1/16 Hex (RG)	Gravity	
N/A	17319	Mild Steel	1-1/16 Hex	Gravity	102101-GP
N/A	30085	Mild Steel	1-1/16 Hex	60A20 Sprockets	
N/A	39050	Mild Steel	1-1/16 Hex	80A16 Sprockets	
N/A	39631	Mild Steel	1-1/16 Hex (RG)	Gravity	
N/A	39632	Mild Steel	1-1/16 Hex (RG)	60A20 Sprockets	
N/A	39633	Mild Steel	1-1/16 Hex (RG)	80A16 Sprockets	



Roller Capacity Chart (lbs.)*

Between Frame (BF) Inches	Bearing Part Number			
	102314-GP	102061-GP	102086-GP	102101-GP
6	1201	1201	1201	4126
12	1196	1196	1196	4120
18	1191	1191	1191	4115
24	1186	1186	1186	4110
30	1181	1181	1181	4105
36	1176	1176	1176	3408
42	1171	1171	1171	2863
48	1165	1165	1165	2448
54	1160	1160	1160	2117
60	1155	1155	1155	1843
66	1150	1150	1150	1609
72	1145	1145	1145	1405
78	1140	1140	1140	1222
84	1135	1135	1135	1056
90	1130	1130	1130	902
96	1090	1124	1124	757
102	924	1119	1119	619
108	766	1093	1093	486
114	613	910	910	357
120	464	733	733	231
126	319	560	560	107
132	175	391	391	N/A
138	N/A	161	161	N/A

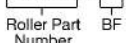
*Larger Between Frames and higher capacities may be achieved with a center support puck.

*Roller Between Frame lengths available between values shown in the table.

*Roller Between Frames can be shorter than values shown utilizing pin retention.

Standard Part Numbering System

Example: 27369 - 17



Unground



Unground Stainless Steel



Semi-Precision



Semi-Precision Stainless Steel



Precision



Precision Stainless Steel



Plastic



Seats



Shields



Ball Retainer (Cage)



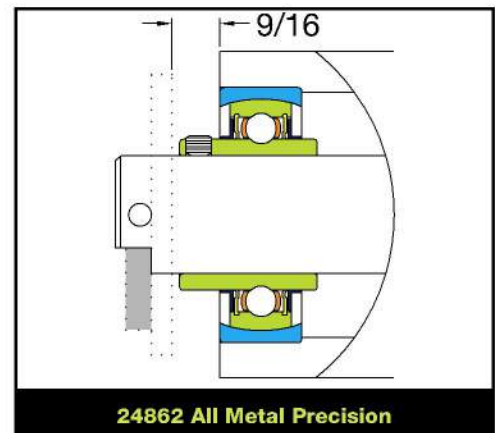
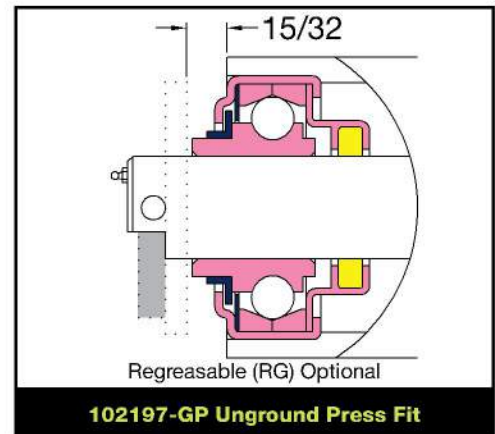
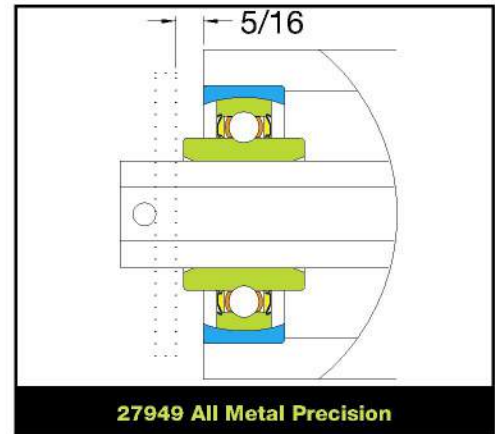
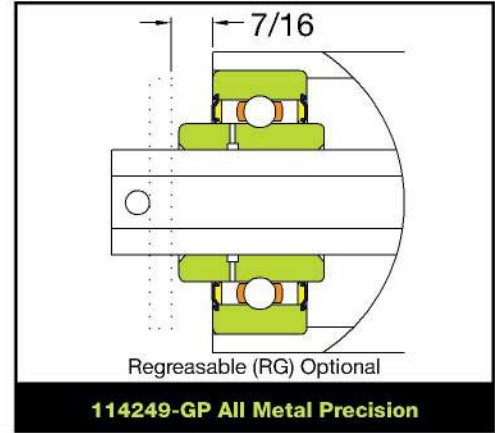
Keeper Bar

*The dimension above include 1/16" clearance between the extension on the bearing and the side frame at each end.

STRAIGHT ROLLERS

3 1/2 in. O.D. x .300 Wall Rollers

Roller Part Number		Tube Material	Axle	Drive Options	Bearing Part Number
D-End Retained	Pin Retained				
N/A	43621	Mild Steel	1-1/16 Hex	Gravity	114249-GP
N/A	43363	Mild Steel	1-1/16 Hex	60A20 Sprockets	
N/A	43364	Mild Steel	1-1/16 Hex	80A16 Sprockets	
N/A	28545	Mild Steel	1-1/8 Hex	Gravity	27949
N/A	40747	Mild Steel	1-1/8 Hex	60A20 Sprockets	
N/A	40749	Mild Steel	1-1/8 Hex	80A16 Sprockets	
28546	N/A	Mild Steel	1-3/16 Dia. (RG)	Gravity	102197-GP
39258	N/A	Mild Steel	1-3/16 Dia.	60A20 Sprockets	
39259	N/A	Mild Steel	1-3/16 Dia.	80A16 Sprockets	
23238	N/A	Mild Steel	1-7/16 Dia.	Gravity	24862
39261	N/A	Mild Steel	1-7/16 Dia.	60A20 Sprockets	
39262	N/A	Mild Steel	1-7/16 Dia.	80A16 Sprockets	



Roller Capacity Chart (lbs.)*

Between Frame (BF) Inches	Bearing Part Number			
	114249-GP	27949	102197-GP	24862
6	4791	6167	2496	6168
12	4778	6162	2491	6163
18	4759	6157	2485	6158
24	4736	6152	2480	6152
30	4126	6147	2475	6147
36	3375	6142	2470	6142
42	2835	5742	2465	5813
48	2423	5005	2460	5059
54	2095	4432	2455	4475
60	1824	3910	2450	4009
66	1592	3467	2444	3629
72	1390	3085	2439	3312
78	1209	2749	2263	3043
84	1044	2447	2013	2683
90	891	2173	1785	2316
96	748	1919	1575	2016
102	611	1682	1378	1768
108	480	1458	1192	1559
114	352	1243	1015	1383
120	227	1037	844	1231
126	104	836	678	1101
132	N/A	635	516	987
138	N/A	298	356	887
144	N/A	N/A	199	799
150	N/A	N/A	N/A	562
156	N/A	N/A	N/A	172

*The dimension above include 1/16" clearance between the extension on the bearing and the side frame at each end.

*Larger Between Frames and higher capacities may be achieved with a center support puck.

*Roller Between Frame lengths available between values shown in the table.

*Roller Between Frames can be shorter than values shown utilizing pin retention.



Standard Part Numbering System

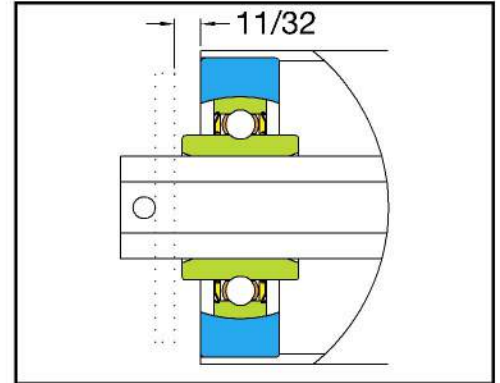
Example: 27369 - 17
 Roller Part Number BF

4 in. O.D. x 10 ga. Rollers

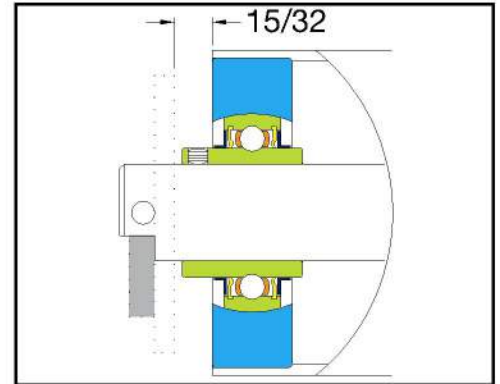
Roller Part Number		Tube Material	Axle	Drive Options	Bearing Part Number
D-End Retained	Pin Retained				
N/A	28548	Mild Steel	1-1/8 Hex	Gravity	27956
28549	N/A	Mild Steel	1-3/16 Dia.	Gravity	27957
45112	N/A	Mild Steel	1-3/8 Dia.	Gravity	45104-GP
45111	N/A	Mild Steel	1-7/16 Dia.	Gravity	45103-GP

Roller Capacity Chart (lbs.)*

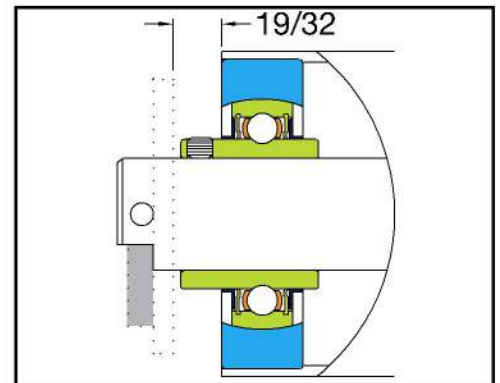
Between Frame (BF) Inches	Bearing Part Number			
	27956	27957	45104-GP	45103-GP
6	6170	4644	6170	6170
12	6167	4641	6167	6167
18	6164	4638	6164	6164
24	6161	4635	6161	6161
30	5664	4633	5661	5661
36	4613	4630	4680	4680
42	3938	3962	3987	3987
48	3434	3452	3471	3471
54	3042	3057	3071	3071
60	2729	2741	2753	2753
66	2473	2483	2493	2493
72	2260	2268	2276	2276
78	2079	2086	2093	2093
84	1924	1930	1936	1936
90	1789	1795	1800	1800
96	1573	1586	1599	1599
102	1384	1395	1406	1406
108	1225	1234	1243	1243
114	1091	1098	1106	1106
120	976	953	989	989
126	876	778	888	888
132	692	606	800	800
138	502	441	723	723
144	314	276	655	655
150	N/A	N/A	595	595
156	N/A	N/A	519	542
162	N/A	N/A	305	494
168	N/A	N/A	N/A	320



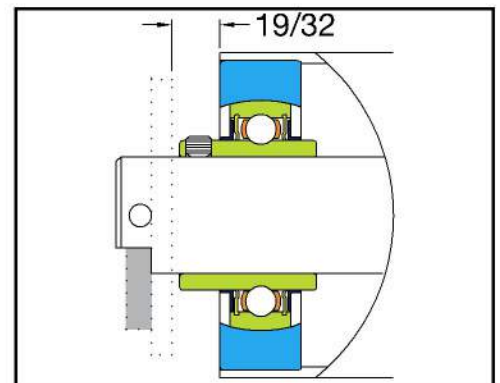
27956 All Metal Precision



27957 All Metal Precision



45104-GP All Metal Precision



45103-GP All Metal Precision

*The dimension above include 1/16" clearance between the extension on the bearing and the side frame at each end.

*Larger Between Frames and higher capacities may be achieved with a center support puck.

*Roller Between Frame lengths available between values shown in the table.

*Roller Between Frames can be shorter than values shown utilizing pin retention.

Standard Part Numbering System

Example: 27369 - 17

Roller Part Number BF



Unground



Unground Stainless Steel



Semi-Precision



Semi-Precision Stainless Steel



Precision



Precision Stainless Steel



Plastic



Seats



Shields



Ball Retainer (Cage)



Keeper Bar

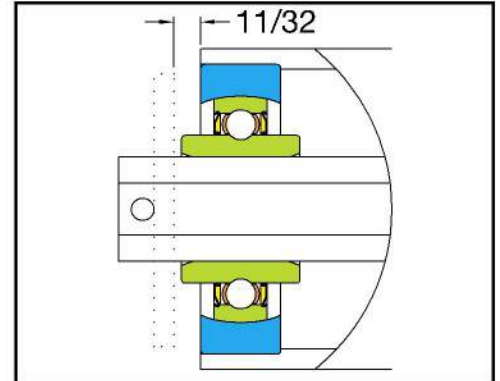
STRAIGHT ROLLERS

4 in. O.D. x 1/4 Wall Rollers

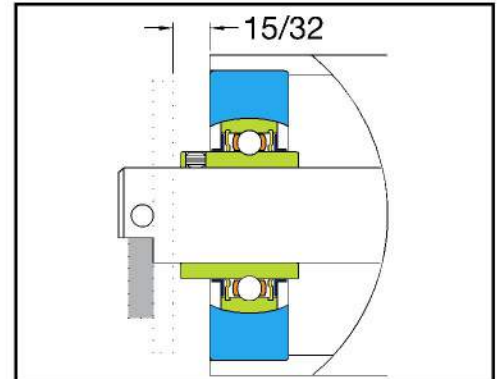
Roller Part Number		Tube Material	Axle	Drive Options	Bearing Part Number
D-End Retained	Pin Retained				
N/A	45110	Mild Steel	1-1/8 Hex	Gravity	45102-GP
45109	N/A	Mild Steel	1-3/16 Dia.	Gravity	45101-GP
28550	N/A	Mild Steel	1-3/8 Dia.	Gravity	27955
45106	N/A	Mild Steel	1-7/16 Dia.	Gravity	24864
45107	N/A	Mild Steel	1-7/16 Dia.	60A22 Sprockets	
45108	N/A	Mild Steel	1-7/16 Dia.	80A17 Sprockets	

Roller Capacity Chart (lbs.)*

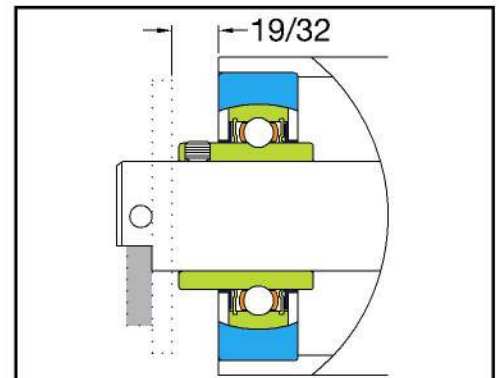
Between Frame (BF) Inches	Bearing Part Number			
	45102-GP	45101-GP	27955	24864
6	6168	4642	6168	6168
12	6163	4637	6163	6163
18	6158	4632	6158	6158
24	6153	4627	6153	6153
30	6148	4622	6148	6148
36	6143	4617	6143	6143
42	5896	4612	6138	6138
48	5081	4482	5927	5927
54	4437	3912	5244	5244
60	3910	3446	4699	4699
66	3467	3054	4255	4255
72	3086	2716	3885	3885
78	2750	2419	3572	3572
84	2448	2153	3303	3303
90	2174	1911	3070	3070
96	1921	1687	2727	2727
102	1663	1478	2396	2396
108	1459	1280	2119	2119
114	1245	1091	1884	1884
120	1039	909	1683	1683
126	838	732	1510	1510
132	643	560	1353	1360
138	450	390	1124	1228
144	260	223	900	1113
150	N/A	N/A	679	992
156	N/A	N/A	462	745
162	N/A	N/A	246	502
168	N/A	N/A	N/A	260



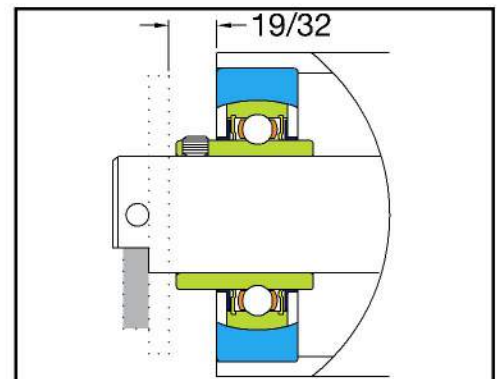
45102-GP All Metal Precision



45101-GP All Metal Precision



27955 All Metal Precision



24864 All Metal Precision

*The dimension above include 1/16" clearance between the extension on the bearing and the side frame at each end.

*Larger Between Frames and higher capacities may be achieved with a center support puck.

*Roller Between Frame lengths available between values shown in the table.

*Roller Between Frames can be shorter than values shown utilizing pin retention.

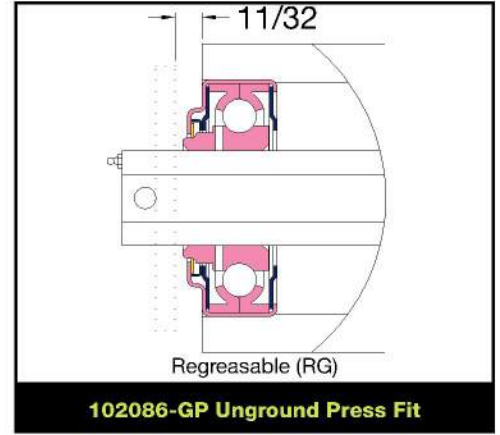


Standard Part Numbering System

Example: 27369 - 17
 Roller Part Number BF

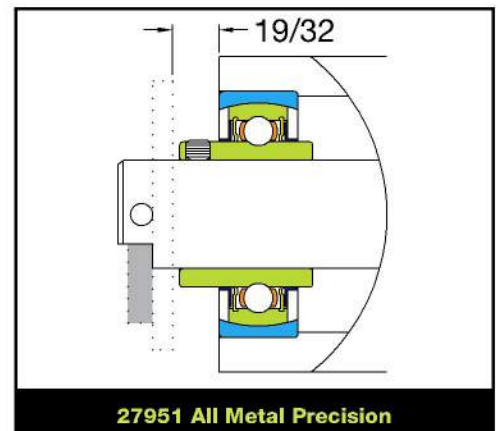
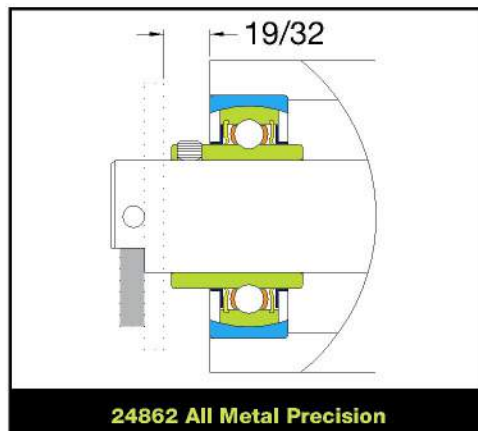
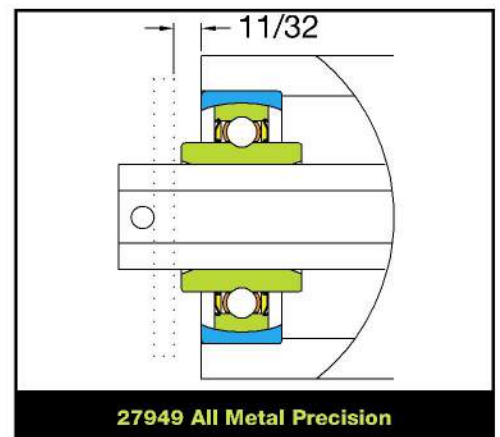
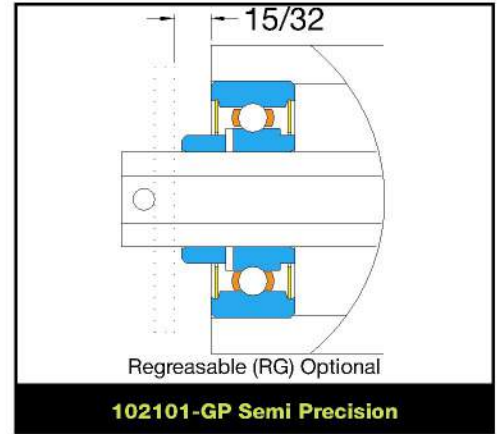
4 in. O.D. x 1/2 Wall Rollers

Roller Part Number		Tube Material	Axle	Drive Options	Bearing Part Number
D-End Retained	Pin Retained				
N/A	28551	Mild Steel	1-1/16 Hex (RG)	Gravity	102086-GP
N/A	28552	Mild Steel	1-1/16 Hex	Gravity	102101-GP
N/A	28553	Mild Steel	1-1/8 Hex	Gravity	27949
28554	N/A	Mild Steel	1-3/8 Dia.	Gravity	27951
24875	N/A	Mild Steel	1-7/16 Dia.	Gravity	24862
38781	N/A	Mild Steel	1-7/16 Dia.	60A22 Sprockets	
38782	N/A	Mild Steel	1-7/16 Dia.	80A17 Sprockets	



Roller Capacity Chart (lbs.)*

Between Frame (BF) Inches	Bearing Part Number				
	102086-GP	102101-GP	27949	27951	24862
6	1198	4122	6164	6165	6165
12	1188	4113	6154	6155	6155
18	1179	4103	6145	6146	6146
24	1170	4094	6136	6136	6136
30	1160	4085	6126	6127	6127
36	1151	3384	6117	6118	6118
42	1142	2834	5867	6108	6108
48	1132	2415	5047	6099	6099
54	1123	2079	4399	6090	6090
60	1114	1801	3868	5548	6080
66	1104	1563	3421	4940	5954
72	1095	1355	3035	4420	5341
78	1086	1168	2694	3967	4807
84	1076	997	2389	3565	4335
90	1067	839	2110	3202	3911
96	1057	690	1852	2871	3524
102	1048	548	1611	2564	3168
108	1019	411	1382	2277	2835
114	832	277	1164	2006	2522
120	650	N/A	953	1747	2225
126	473	N/A	748	1499	1940
132	299	N/A	548	1259	1666
138	N/A	N/A	351	1025	1400
144	N/A	N/A	N/A	797	1103
150	N/A	N/A	N/A	469	668
156	N/A	N/A	N/A	N/A	257



*Larger Between Frames and higher capacities may be achieved with a center support puck.

*Roller Between Frame lengths available between values shown in the table.

*Roller Between Frames can be shorter than values shown utilizing pin retention.

Standard Part Numbering System

Example: 27369 - 17

Roller Part Number BF



Uground



Uground Stainless Steel



Semi-Precision



Semi-Precision Stainless Steel



Precision



Precision Stainless Steel



Plastic



Seats



Shields



Ball Retainer (Cage)



Keeper Bar

STRAIGHT ROLLERS

4 1/4 in. O.D. x 1/4 Wall Rollers

Roller Part Number		Tube Material	Axle	Drive Options	Bearing Part Number
D-End Retained	Pin Retained				
28555	Upon Request	Mild Steel	1-3/16 Dia.	Gravity	27957

Roller Capacity Chart (lbs.)*

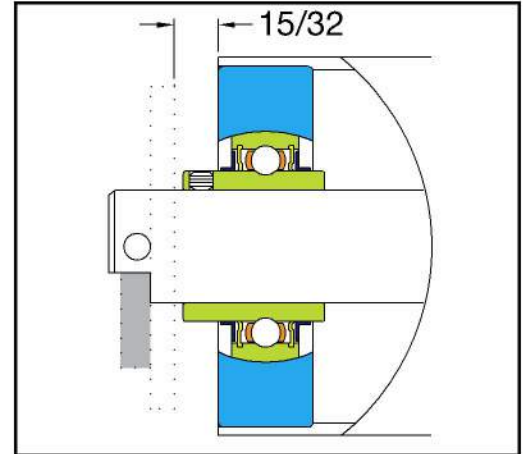
Between Frame (BF) Inches	Bearing Part Number		Between Frame (BF) Inches	Bearing Part Number	
	102205-GP	24864		102205-GP	24864
6	4641		78	2414	
12	4636		84	2148	
18	4631		90	1905	
24	4625		96	1681	
30	4620		102	1471	
36	4615		108	1273	
42	4609		114	1084	
48	4478		120	902	
54	3908		126	725	
60	3441		132	552	
66	3049		138	382	
72	2711				

4 1/4 in. O.D. x 7/16 Wall Rollers

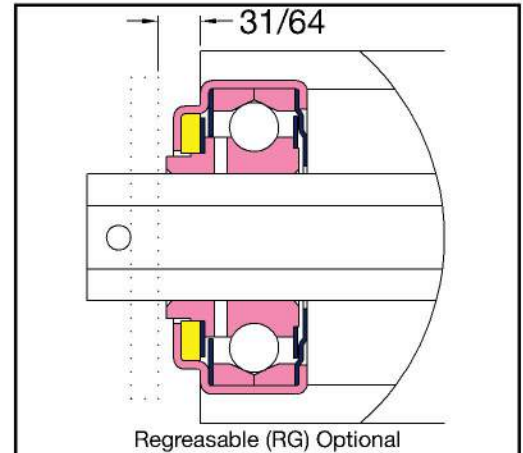
Roller Part Number		Tube Material	Axle	Drive Options	Bearing Part Number
D-End Retained	Pin Retained				
N/A	28033	Mild Steel	1-1/4 Hex	Gravity	102205-GP
N/A	28034	Mild Steel	1-1/4 Hex (RG)	Gravity	
28556	N/A	Mild Steel	1-7/16 Dia.	Gravity	24864

Roller Capacity Chart (lbs.)*

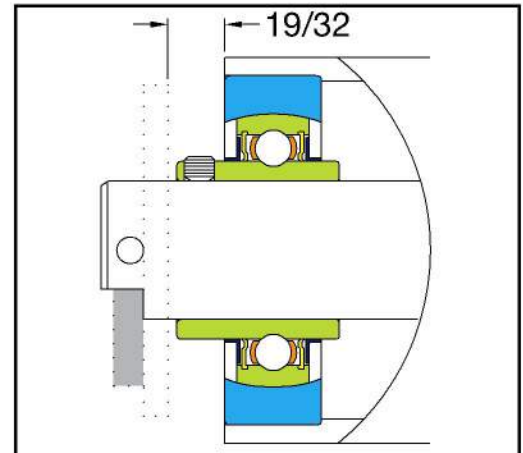
Between Frame (BF) Inches	Bearing Part Number		Between Frame (BF) Inches	Bearing Part Number	
	102205-GP	24864		102205-GP	24864
6	4493	6165	90	2619	3917
12	4484	6156	96	2334	3531
18	4475	6147	102	2070	3175
24	4466	6138	108	1822	2843
30	4457	6129	114	1587	2530
36	4448	6120	120	1363	2233
42	4439	6111	126	1146	1949
48	4430	6102	132	936	1675
54	4421	6094	138	731	1409
60	4412	6085	144	530	1149
66	4098	5958	150	N/A	895
72	3657	5345	156	N/A	645
78	3272	4812	162	N/A	397
84	2929	4341			



27957 All Metal Precision



102205-GP Underground Press Fit



24864 All Metal Precision

*The dimension above include 1/16" clearance between the extension on the bearing and the side frame at each end.

*Larger Between Frames and higher capacities may be achieved with a center support puck.
 *Roller Between Frame lengths available between values shown in the table.
 *Roller Between Frames can be shorter than values shown utilizing pin retention.



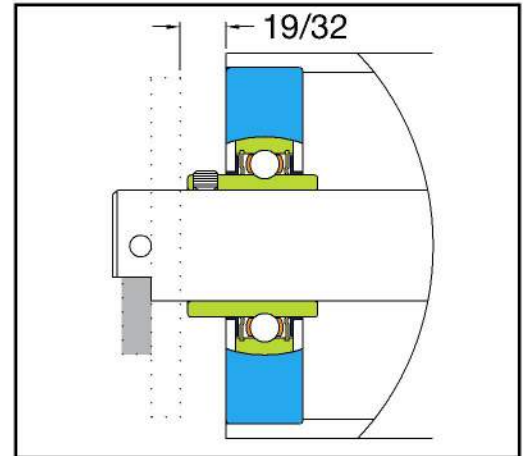
Standard Part Numbering System
 Example: 27369 - 17
 Roller Part Number BF

5 in. O.D. x 1/4 Wall Rollers

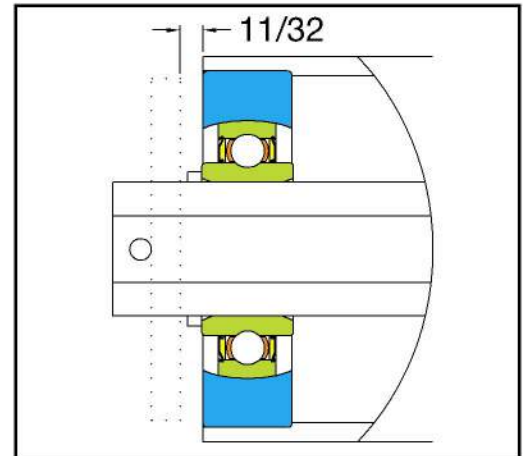
Roller Part Number		Tube Material	Axle	Drive Options	Bearing Part Number
D-End Retained	Pin Retained				
45063	N/A	Mild Steel	1-7/16 Dia.	Gravity	45082-GP
45064	N/A	Mild Steel	1-7/16 Dia.	80A20 Sprockets	
N/A	45066	Mild Steel	1-1/2 Hex	Gravity	45081-GP
45067	N/A	Mild Steel	1-11/16 Dia.	Gravity	45080-GP
45068	N/A	Mild Steel	1-11/16 Dia.	80A20 Sprockets	

Roller Capacity Chart (lbs.)*

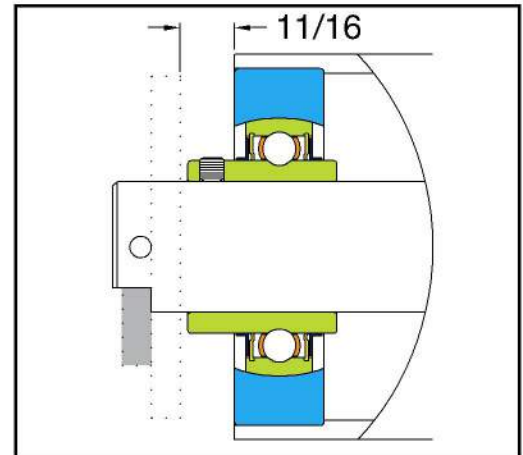
Between Frame (BF) Inches	Bearing Part Number		
	45082-GP	45081-GP	45080-GP
6	6167	7830	7831
12	6161	7824	7825
18	6154	7818	7818
24	6148	7811	7812
30	6142	7805	7806
36	6135	7799	7799
42	6129	7792	7793
48	6123	7786	7787
54	6116	7780	7780
60	6110	7580	7670
66	5961	6871	6946
72	5370	6281	6344
78	4840	5781	5835
84	4371	5353	5399
90	3950	4981	5021
96	3566	4655	4690
102	3212	4367	4398
108	2883	4111	4139
114	2573	3841	3906
120	2279	3446	3509
126	1997	3105	3159
132	1726	2808	2856
138	1462	2550	2591
144	1205	2322	2358
150	954	2120	2153
156	706	1920	1970
162	461	1534	1704
168	N/A	1154	1379
174	N/A	777	1058
180	N/A	402	741



45082-GP All Metal Precision



45081-GP All Metal Precision



45080-GP All Metal Precision

*The dimension above include 1/16" clearance between the extension on the bearing and the side frame at each end.

*Larger Between Frames and higher capacities may be achieved with a center support puck.

*Roller Between Frame lengths available between values shown in the table.

*Roller Between Frames can be shorter than values shown utilizing pin retention.

Standard Part Numbering System

Example: 27369 - 17

Roller Part Number BF



Unground



Unground Stainless Steel



Semi-Precision



Semi-Precision Stainless Steel



Precision



Precision Stainless Steel



Plastic



Seats



Shields



Ball Retainer (Cage)



Keeper Bar

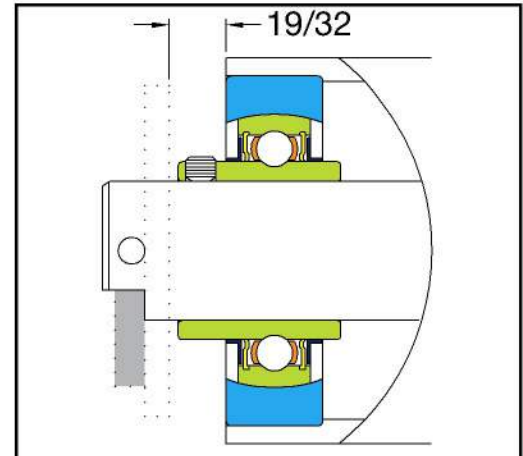
STRAIGHT ROLLERS

5 in. O.D. x 3/4 Wall Rollers

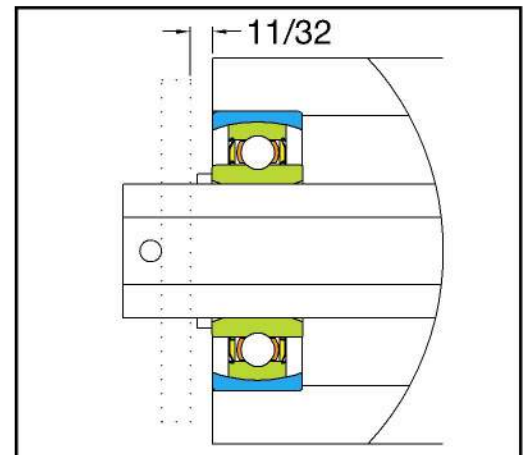
Roller Part Number		Tube Material	Axle	Drive Options	Bearing Part Number
D-End Retained	Pin Retained				
24876	N/A	Mild Steel	1-7/16 Dia.	Gravity	24864
38784	N/A	Mild Steel	1-7/16 Dia.	80A20 Sprockets	
N/A	28557	Mild Steel	1-1/2 Hex	Gravity	27953
26837	N/A	Mild Steel	1-11/16 Dia.	Gravity	26838
41889	N/A	Mild Steel	1-11/16 Dia.	80A20 Sprockets	

Roller Capacity Chart (lbs.)*

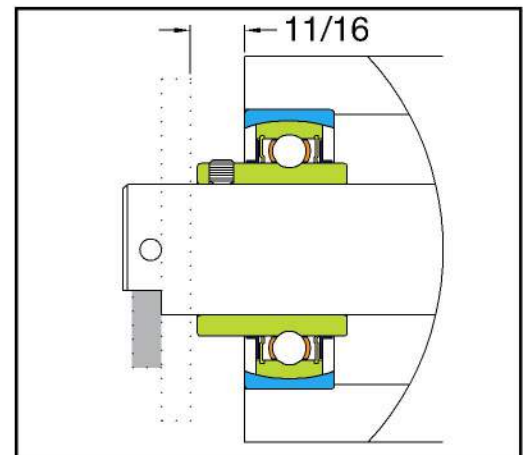
Between Frame (BF) Inches	Bearing Part Number		
	24864	27953	26838
6	6158	7821	7223
12	6141	7804	7806
18	6124	7787	7789
24	6107	7770	7772
30	6090	7753	7755
36	6073	7736	7738
42	6056	7719	7721
48	6039	7702	7704
54	6022	7685	7687
60	6005	7668	7670
66	5871	7651	7653
72	5250	7634	7636
78	4709	7617	7619
84	4229	7600	7217
90	3797	7074	6561
96	3403	6417	5969
102	3038	5815	5429
108	2698	5256	4930
114	2377	4733	4464
120	2072	4239	4027
126	1780	3769	3612
132	1498	3318	3216
138	1224	2884	2836
144	956	2462	2469
150	694	1972	2112
156	435	1260	1764
162	N/A	589	1423
168	N/A	N/A	931



24864 All Metal Precision



27953 All Metal Precision



26838 All Metal Precision

*The dimension above include 1/16" clearance between the extension on the bearing and the side frame at each end.

*Larger Between Frames and higher capacities may be achieved with a center support puck.

*Roller Between Frame lengths available between values shown in the table.

*Roller Between Frames can be shorter than values shown utilizing pin retention.



Standard Part Numbering System

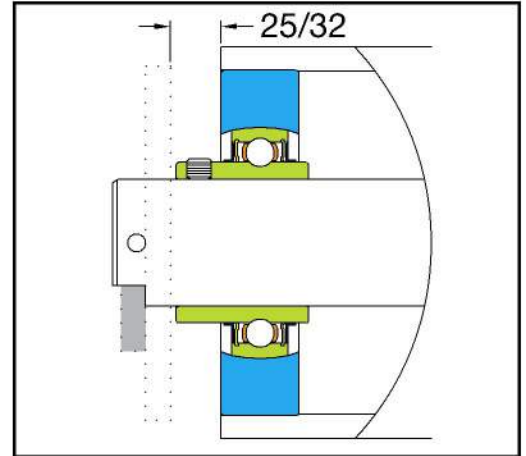
Example: 27369 - 17
 Roller Part Number BF

6 in. O.D. x 3/8 Wall Rollers

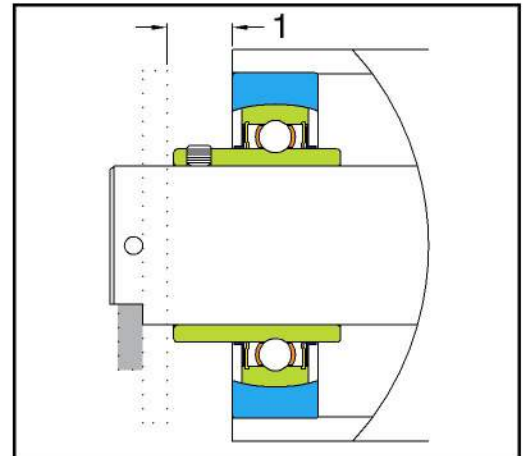
Roller Part Number		Tube Material	Axle	Drive Options	Bearing Part Number
D-End Retained	Pin Retained				
45069	N/A	Mild Steel	1-15/16 Dia.	Gravity	45067-GP
45070	N/A	Mild Steel	2-7/16 Dia.	Gravity	45068-GP

Roller Capacity Chart (lbs.)*

Between Frame (BF) Inches	Bearing Part Number	
	45067-GP	45068-GP
6	8362	12542
12	8370	12531
18	8359	12520
24	8348	12509
30	8336	12497
36	8325	12486
42	8314	12475
48	8303	12463
54	8291	12452
60	8280	12441
66	8269	12430
72	8257	12418
78	8246	12259
84	8235	11340
90	8224	10645
96	8212	9850
102	8201	9237
108	8190	8692
114	7960	8205
120	7314	7766
126	6708	7368
132	6135	7006
138	5590	6664
144	5068	6077
150	4566	5558
156	4080	5098
162	3607	4688
168	3146	4320
174	2695	3990
180	2251	3691



45067-GP All Metal Precision



45068-GP All Metal Precision

*The dimension above includes 1/16" clearance between the extension on the bearing and the side frame at each end.

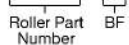
*Larger Between Frames and higher capacities may be achieved with a center support puck.

*Roller Between Frame lengths available between values shown in the table.

*Roller Between Frames can be shorter than values shown utilizing pin retention.

Standard Part Numbering System

Example: 27369 - 17



Unground



Unground Stainless Steel



Semi-Precision



Semi-Precision Stainless Steel



Precision



Precision Stainless Steel



Plastic



Seats



Shields



Ball Retainer (Cage)



Keeper Bar

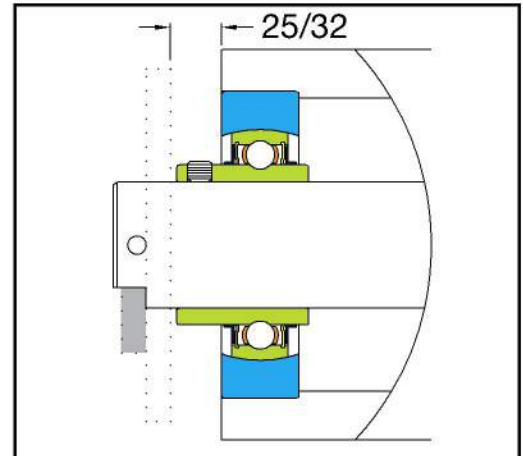
STRAIGHT ROLLERS

6 in. O.D. x 3/4 Wall Rollers

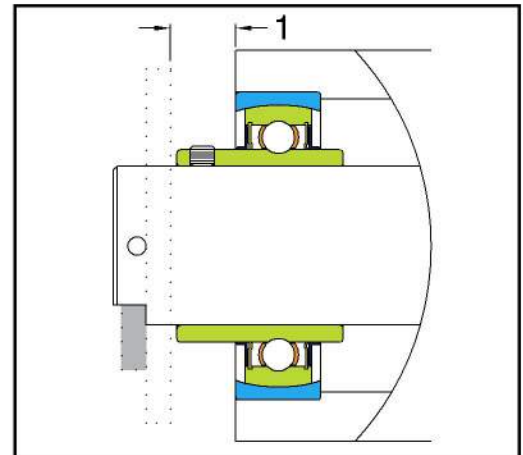
Roller Part Number		Tube Material	Axle	Drive Options	Bearing Part Number
D-End Retained	Pin Retained				
28561	N/A	Mild Steel	1-15/16 Dia.	Gravity	27960
28562	N/A	Mild Steel	2-7/16 Dia.	Gravity	27962
28563	N/A	Mild Steel	2-15/16 Dia.	Gravity	102203-GP

Roller Capacity Chart (lbs.)*

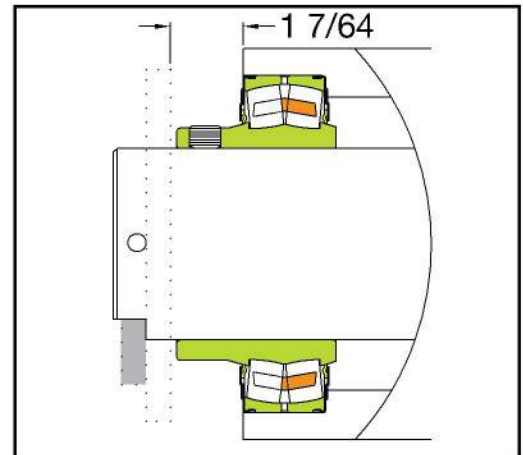
Between Frame (BF) Inches	Bearing Part Number		
	27960	27962	102203-GP
6	8374	12536	55987
12	8353	12515	55932
18	8332	12494	55856
24	8311	12473	55759
30	8290	12452	55643
36	8269	12431	45972
42	8248	12410	39000
48	8227	12389	33849
54	8206	12368	29887
60	8185	12347	26744
66	8164	12326	24188
72	8143	12305	22068
78	8122	12284	20280
84	8101	12263	18752
90	8080	12242	17430
96	8059	12221	16274
102	8038	12199	15254
108	8017	12178	14348
114	7782	12157	13537
120	7127	12136	12807
126	6511	12115	12145
132	5928	11521	11542
138	5374	10955	10991
144	4842	9982	10031
150	4330	9123	9166
156	3834	8360	8399
162	3352	7680	7715
168	2881	7071	7102
174	2420	6522	6550
180	1966	6027	6052



27960 All Metal Precision



27962 All Metal Precision














102203-GP All Metal Precision

*The dimension above include 1/16" clearance between the extension on the bearing and the side frame at each end.

*Larger Between Frames and higher capacities may be achieved with a center support puck.
 *Roller Between Frame lengths available between values shown in the table.
 *Roller Between Frames can be shorter than values shown utilizing pin retention.

Page 58

										
Unground	Unground Stainless Steel	Semi-Precision	Semi-Precision Stainless Steel	Precision	Precision Stainless Steel	Plastic	Seals	Shields	Ball Retainer (Cage)	Keeper Bar

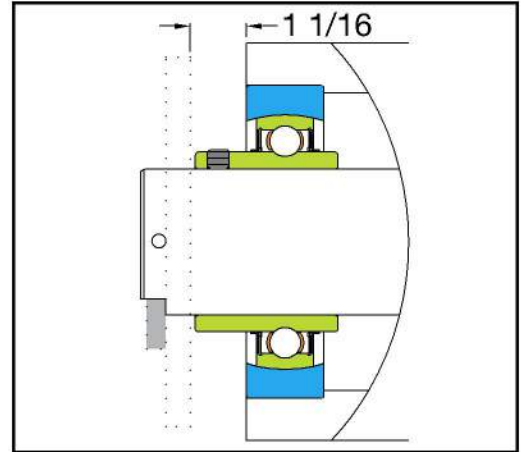
Standard Part Numbering System
 Example: 27369 - 17
 Roller Part Number BF

8 in. O.D. x 1 Wall Rollers

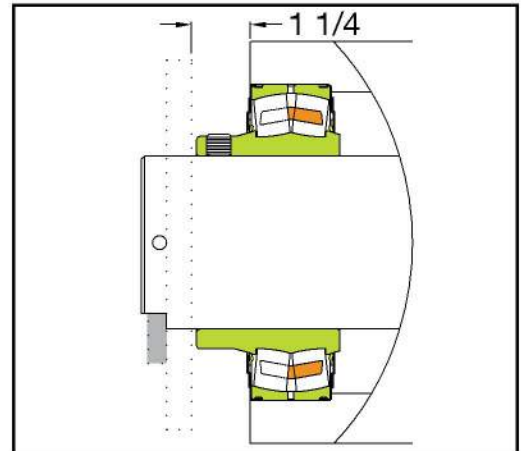
Roller Part Number		Tube Material	Axle	Drive Options	Bearing Part Number
D-End Retained	Pin Retained				
28570	N/A	Mild Steel	2-15/16 Dia.	Gravity	27965
28571	N/A	Mild Steel	3-7/16 Dia.	Gravity	102204-GP

Roller Capacity Chart (lbs.)*

Between Frame (BF) Inches	Bearing Part Number	
	27965	102204-GP
6	15852	78414
12	15814	78334
18	15777	78229
24	15740	78100
30	15702	77946
36	15665	77768
42	15628	77565
48	15590	77338
54	15553	71343
60	15515	63827
66	15478	57725
72	15441	52670
78	15403	48413
84	15366	44777
90	15328	41634
96	15291	38890
102	15254	36472
108	15216	34325
114	15179	32406
120	15142	30678
126	15104	29115
132	15067	27693
138	15029	26393
144	14992	25201
150	14955	24103
156	14917	23087
162	14880	22145
168	14842	21269
174	14805	20411
180	14768	18917



27965-GP All Metal Precision



102204-GP All Metal Precision

*The dimension above include 1/16" clearance between the extension on the bearing and the side frame at each end.

*Larger Between Frames and higher capacities may be achieved with a center support puck.

*Roller Between Frame lengths available between values shown in the table.

*Roller Between Frames can be shorter than values shown utilizing pin retention.

Standard Part Numbering System

Example: 27369 - 17

Roller Part Number BF



Unground



Unground Stainless Steel



Semi-Precision



Semi-Precision Stainless Steel



Precision



Precision Stainless Steel



Plastic



Seats



Shields



Ball Retainer (Cage)



Keeper Bar